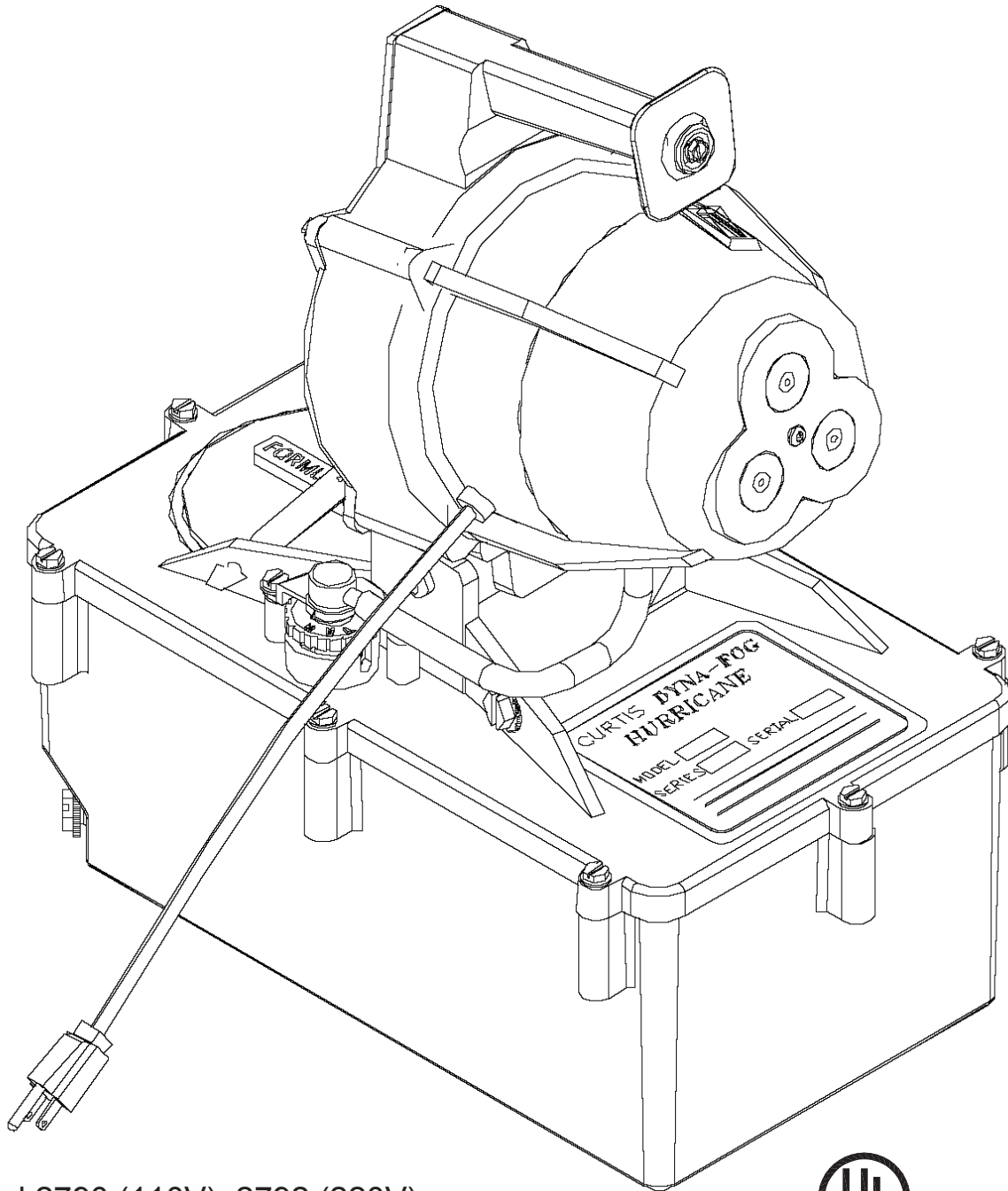


# ***Dyna-Fog<sup>®</sup> Hurricane***

***“Cold Fog” ULV/Mister***



Model 2790 (110V), 2792 (220V)  
With Float Valve: 2738 (110V), 2739 (220V)



**Instruction Manual**



**For**

**Operation, Service and Maintenance**

# INDEX

	Page Number
SPECIFICATIONS .....	1
WORKING PRINCIPLES .....	2
MAJOR COMPONENTS .....	3
NOZZLE DIRECTION .....	3
FLOW RATE .....	4
SAFETY PRECAUTIONS .....	5
Electric Power .....	5
Formulations .....	5
Aerosol Concentration .....	6
Aerosol Ignition .....	6
Proper and Improper Use .....	6
MAINTENANCE .....	7
ELECTRICAL SCHEMATIC .....	8
EXPLODED ISOMETRIC DIAGRAM .....	9
PART LIST FOR ISOMETRIC DIAGRAM .....	10
FLOAT VALVE ASSEMBLY (OPTION) .....	11
FLOAT VALVE ADJUSTMENT .....	11
NOISE LEVEL COMPARISON .....	12
DYNA-FOG <sup>®</sup> , WIDE ASSORTMENT OF MACHINES .....	13

# SPECIFICATIONS

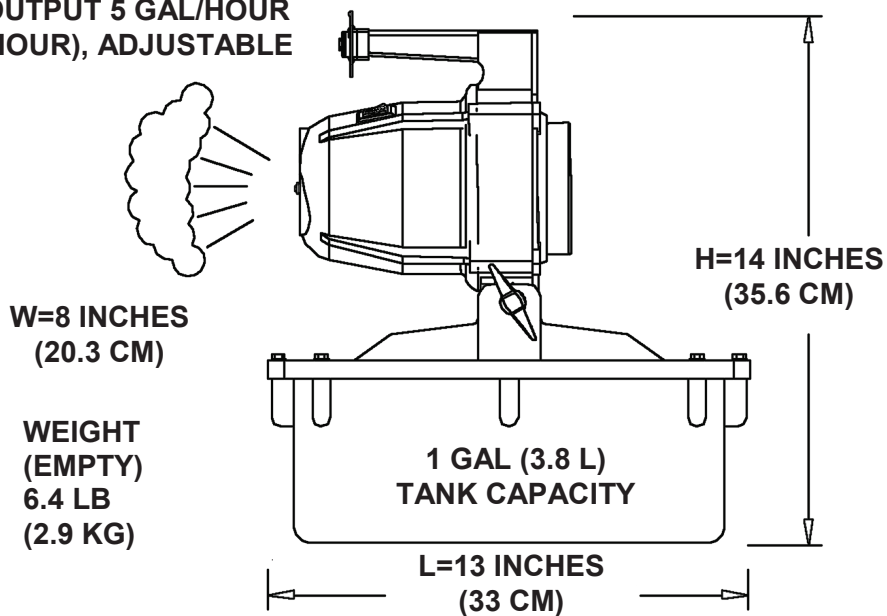
The Hurricane™ machine is an electric “Cold Fog” ULV/Mister with three rugged nylon nozzles. This device is intended for applications of both oil bases (following necessary precautions) and water based chemical treatments including wettable powders and wet flowables. The body and tank are made of high-density chemical resistant polyethylene. The applicator is useful for dispensing most chemicals which are labeled for aerosol or mist applications such a disinfectants, deodorizers, germicides, insecticides, etc., in locations such hospitals, schools, nursing homes, greenhouses, stables, warehouses, homes, and farm buildings. The particle sizes generated range from 7 to 30 microns VMD, depending on the flow rate and viscosity of the materials.

- MODEL 2790 HURRICANE™ 110-130 VAC
- MODEL 2792 HURRICANE™ 210-250 VAC
- MODEL 2738 HURRICANE™ W/FLOAT VALVE, 110-130 VAC
- MODEL 2739 HURRICANE™ W/FLOAT VALVE, 210-250 VAC

**MOTOR:**

2790 CONTINUOUS DUTY 110-130 VOLTS AC 6.85 AMPS 50/60 HZ 20,000 RPM	2792 CONTINUOUS DUTY 210-250 VOLTS AC 3.4 AMPS 50/60 HZ 20,000 RPM
---------------------------------------------------------------------------------	--------------------------------------------------------------------------------

**MAX OUTPUT 5 GAL/HOUR  
(19 L/HOUR), ADJUSTABLE**

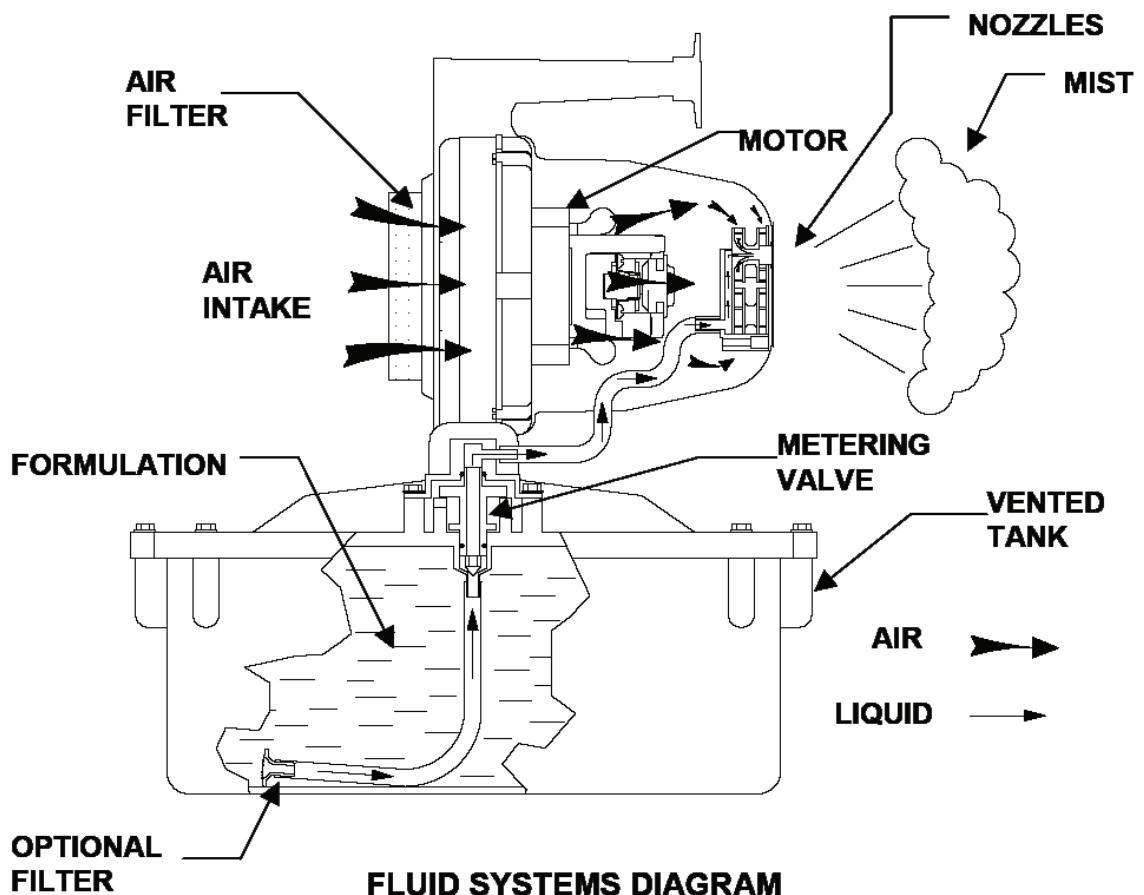


Cord Type SJ60, 18" (46 cm) length; optional 25 Ft (7.6 m) extension cord available.

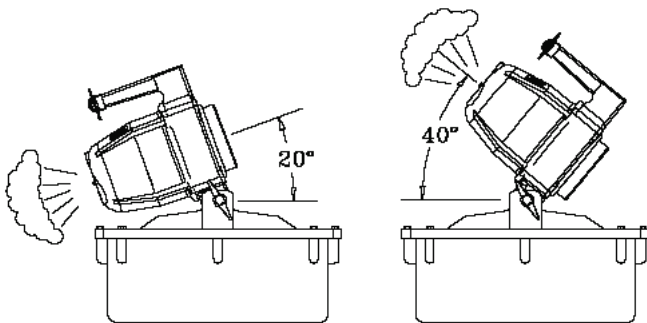
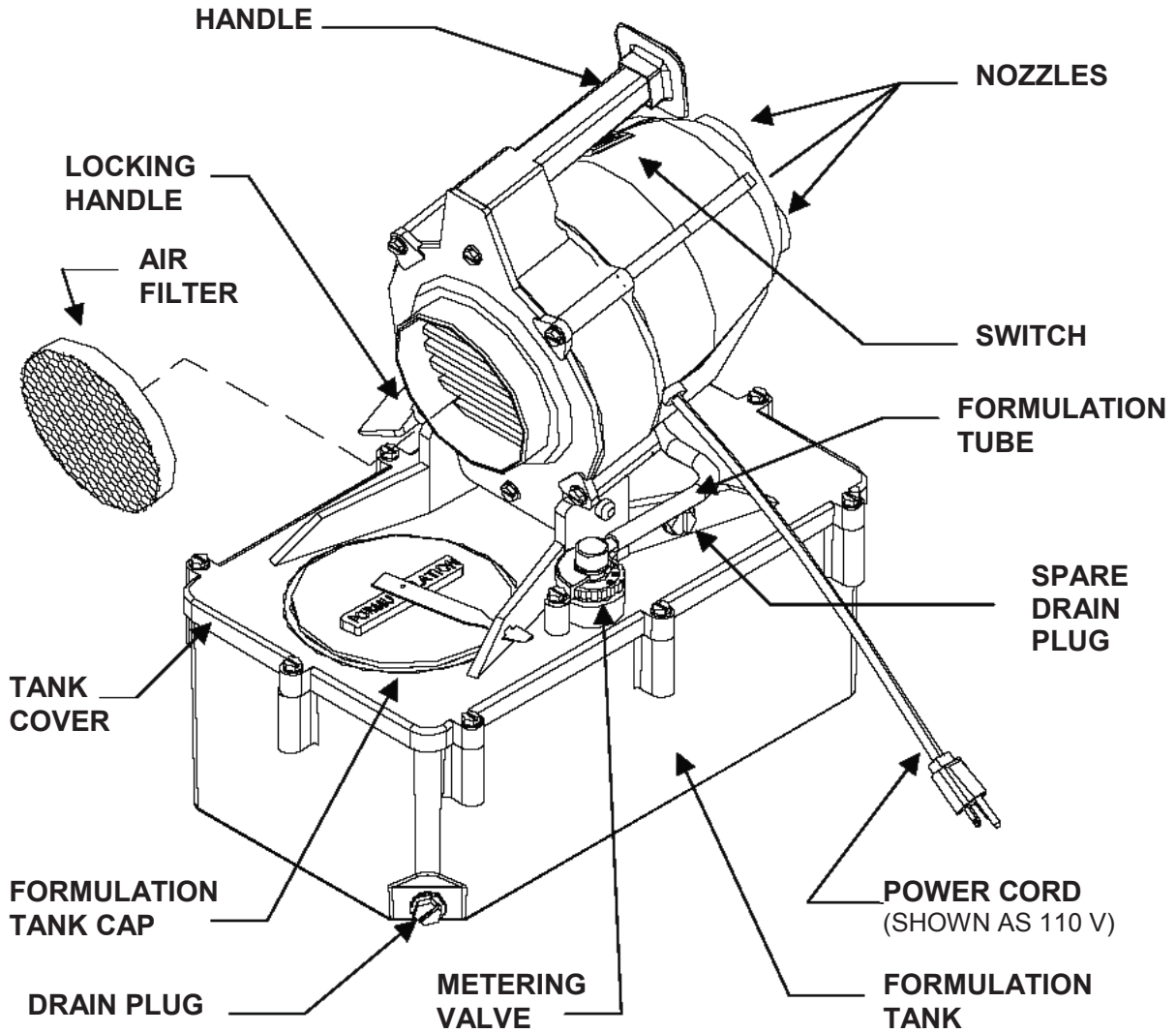
## WORKING PRINCIPLES

The machine consists of a motor/blower assembly, a nozzle system, a nozzle housing, a formulation tank and a metering valve. The various components are identified in diagram below. The blower is a single stage/centrifugal impeller/axial flow driven by a universal motor operating at a speed of about 20,000 RPM. The blower moves a large amount of air through the nozzle system consisting of three individual nozzles, each of which has two sets of directing vanes. One vane set causes the air to be rotated clockwise and the other causes the air to be rotated counterclockwise. The intersection action of the circular forces shears the material being dispensed into small particles. Further, the air rushing by the specially shaped liquid tubes creates a negative pressure in the liquid tube. This negative pressure causes the liquid to be drawn from the formulation tank through the control valve and into the nozzle system where it is pneumatically sheared into aerosol or mist sized droplets. After break-up, the droplets are driven away from the machine by the air passing through the nozzle system.

Generally, the size of the output droplets increases with increasing flow rate and with increasing viscosity.



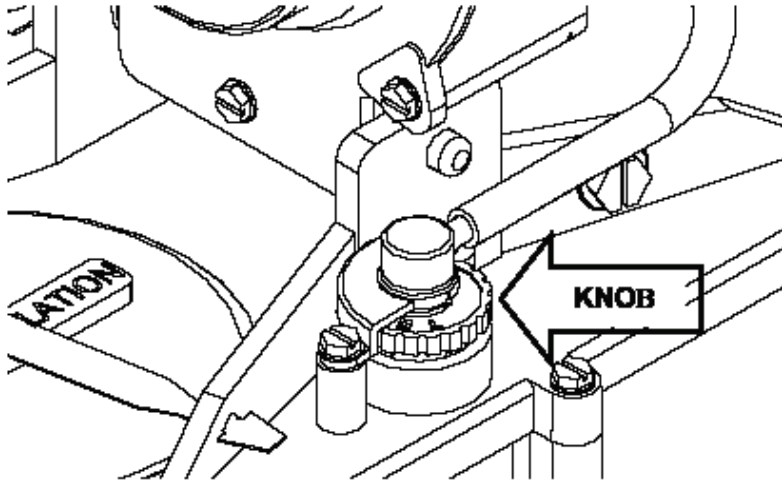
# MAJOR COMPONENTS



## NOZZLES DIRECTION

The machine allows adjusting the angle in a 60° range, up to 40° above horizontal, and -20° below horizontal. Use the Locking Handle to adjust the angle.

# FLOW RATE

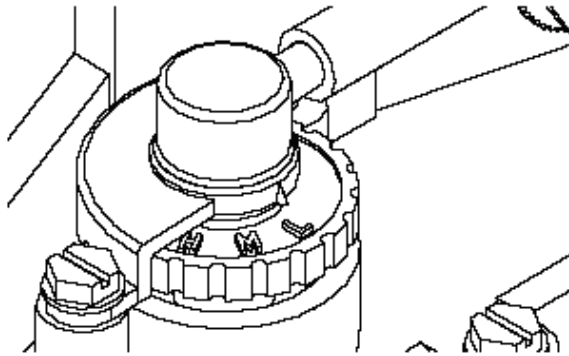


Turning the knob of the control valve regulates the flow rate.

If the knob is rotated clockwise, the flow rate will be reduced.

If the Knob is rotated counterclockwise, the flow rate will be increased.

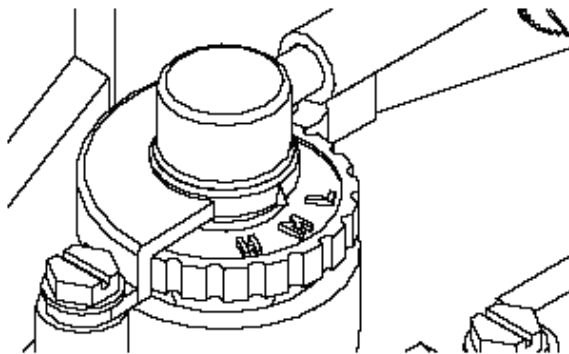
As reference, the diagrams below illustrate the average flow rate at three different positions using water.



## Metering Valve Setting in **LOW** Position

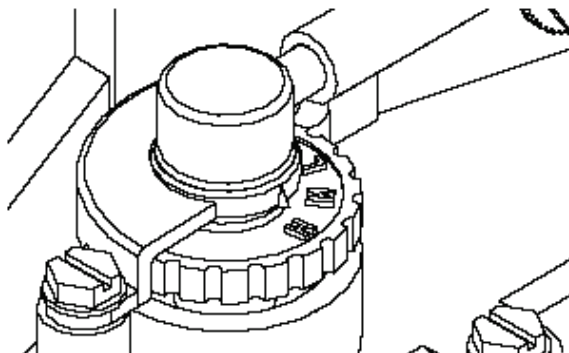
Flow Rate = 6.4 Ounces/Minute  
= 3.0 Gal/Hour  
= 189 ml/min  
= 11.3 L/Hour

Smaller flow rates can be obtained by locating the valve setting below the L setting, up to virtually "no flow" position.



## Metering Valve Setting in **MED.** Position

Flow Rate = 8.0 Ounces/Minute  
= 3.7 Gal/Hour  
= 236 ml/min  
= 14.2 L/Hour



## Metering Valve Setting in **HIGH** Position

Flow Rate = 9.0 Ounces/Minute  
= 4.2 Gal/Hour  
= 266 ml/min  
= 15.9 L/Hour

The maximum flow could be obtained by fully opening the valve.

# SAFETY PRECAUTIONS

## WARNING

*READ AND UNDERSTAND THESE SAFETY PRECAUTIONS BEFORE OPERATING MACHINE. FAILURE TO PROPERLY FOLLOW THESE PRECAUTIONS MAY LEAD TO A FIRE, EXPOSION OR ELECTRIC SHOCK HAZARD.*

1. **ELECTRIC POWER.** This machine uses electrical power at common commercially available voltages. When directly contacted, such voltages are hazardous to human life. All precautions commonly applicable to the use of the electric power general are applicable to the use of this machine. This machine is designed to operate from three wire power systems where one of the wires is a safety ground. Do not disconnect the safety ground or use extension cords or “cheater” plugs to connect this machine to a two-wire system. This defeats the purpose of the safety ground and may result in a hazardous electrical shock condition.

When making repairs on the machine, use an area or work bench that is dry and not electrically conductive. Dry natural wood and plastics are generally non-conductive at the working voltages of this machine. Metals are usually conductive. Do not probe inside the machine.

Extension cords must be properly sized and rated for the voltage, current and length of an individual cord. Consult the nameplate current and voltage rating of your machine and the marked rating of the extension cord. A single extension cord only should be used. When two or more extension cord are placed in series, the rated current carrying capacities of the cords may no longer be valid. If an extension cord gets warm to the touch, discontinue its use and obtain a cord with a higher current rate. Improper extension cords are not only hazardous, but may result in poor machine performance due to excessive voltage drop. Finally, since the machine uses oil-based formulation, the extension cord should be rated as oil resistant.

2. **FORMULATIONS.** Many formulations are combustible; that is, they all can be caused to burn. This is true of even high flash point or “no” flash point formulation (fine particle dust in a grain mill has “no” flash point). A combustible liquid vapor can more easily be ignited because it more readily form a uniform mixture with the air which contains the Oxygen needed for combustion. However, fine particles of combustible liquids or solid suspended in the air very closely spaced are capable of propagating flame from one to another once an ignition starts. A good analogy is the grain mill explosion. Although the fine particle dust in a grain mill has “no” flash point, the phenomena of the grain mill explosion is an all too common occurrence.

Where a high flash point or “no” flash point liquid formulation will ignite far less readily than a low flash point liquid and for this reason is strongly advocated. The higher or “no” flash point formulation can ignite if the proper conditions exist. These conditions are basically two: 1. A sufficiently volume of liquid in the form of fine particles suspended in the air; and 2. A sufficiently high energy source of ignition.

3. **AEROSOL CONCENTRATION.** It has been fully established that an acceptable level of liquid in the atmosphere is one gallon per 50,000 cubic feet (2.7 Liter per 1,000 cubic meters). There is a safety margin of at least 5 to 1 in this figure.
4. **AEROSOL IGNITION.** If a combustible atmosphere is established or a combustible deposit is laid down, a source of ignition may cause a fire. Sources of ignition can be gas or oil pilot lights or sparks from electrical controls. Therefore, it is strongly recommended that all such sources be eliminated by extinguishing all pilot lights and turning off all unnecessary electric power. To avoid danger of fire or explosion in an enclosed space, the enclosed volume fogging time and required formulation volume should be carefully calculated.

## **PROPER AND IMPROPER USE.**

The following rules apply to the operation of this machine:

### **DO**

Read the entire manual before operating the machine and pay particular attention to all CAUTIONS and WARNINGS.

Store formulation in its original labeled container.

Use an extension cord which is properly rated for voltage, current and length and which is free from nicks, cracks and other signs of prior abuse. For lengths up to 100 feet (30.5 meters) cord No. 12AWG wire are usually adequate.

Replace damaged or worn electric cord immediately.

Turn the flow valve CLOCKWISE to the OFF position after each spray application while the motor is still operating to allow clearing of the lines. This will also prevent a siphon effect if the unit is ever accidentally knocked over with the valve remaining open.

Always comply with any requirements for protective clothing, goggles, gloves, facial masks or respirator required by the formulation label.

Ensure that formulation are applied only in strict compliance with the formulation label as well as local State and Federal regulations.



## DO NOT

Do not Spray flammable liquids near open flame or other source of ignition.

Do not Use a machine that is broken or damaged in any way.

Do not Alter the machine by adding or removing parts.

Do not Restrict the motor blower inlet area.

Do not Tamper with the output nozzle.

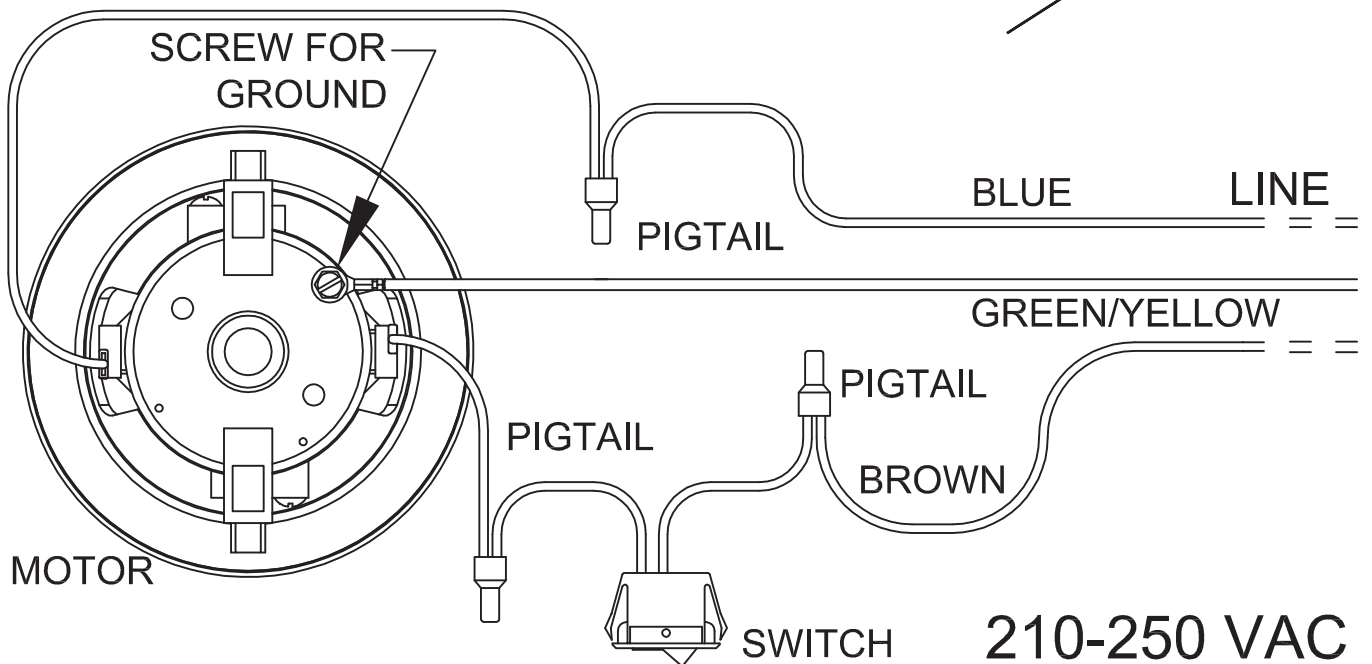
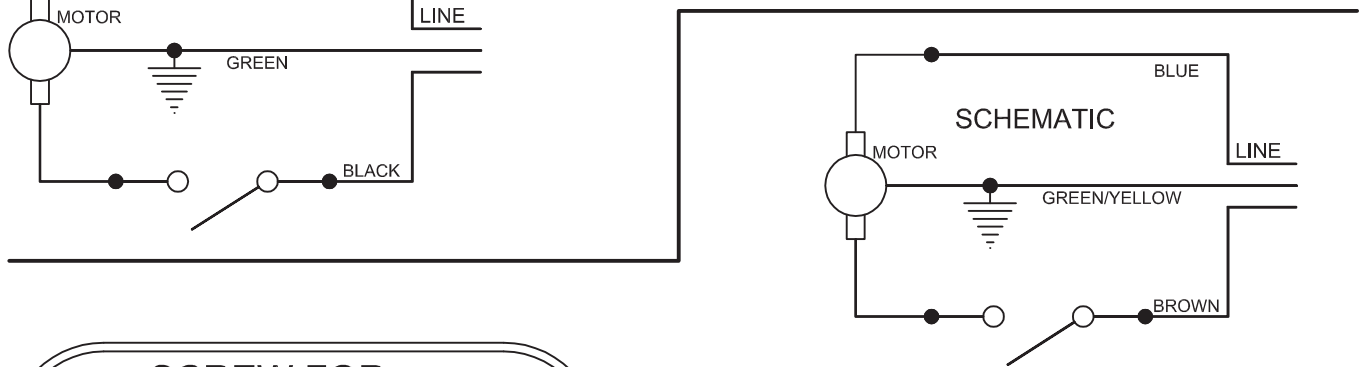
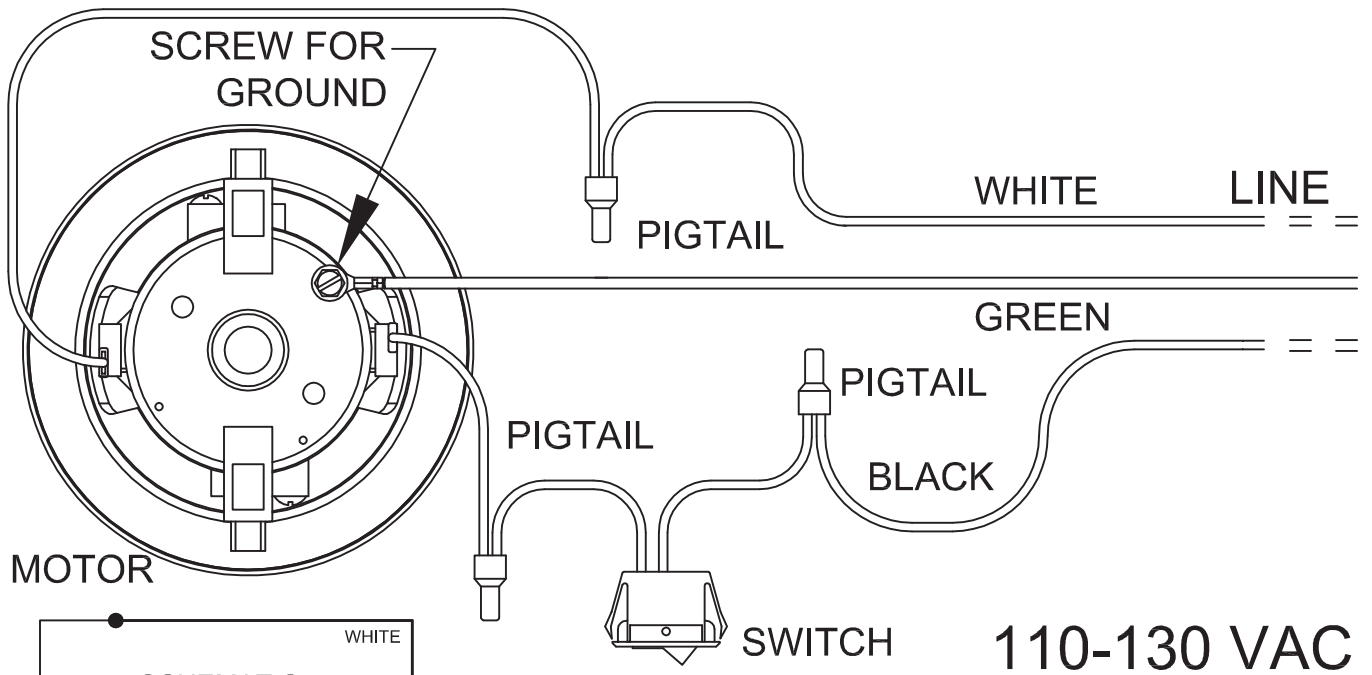
Do not Allow the machine to operate unattended.

Do not Apply more than one gallon of formulation per 50,000 cubic feet (2.7 Liters per 1,000 cubic meters) enclosed space. Exceeding this concentration is both hazardous and wasteful.

## MAINTENANCE

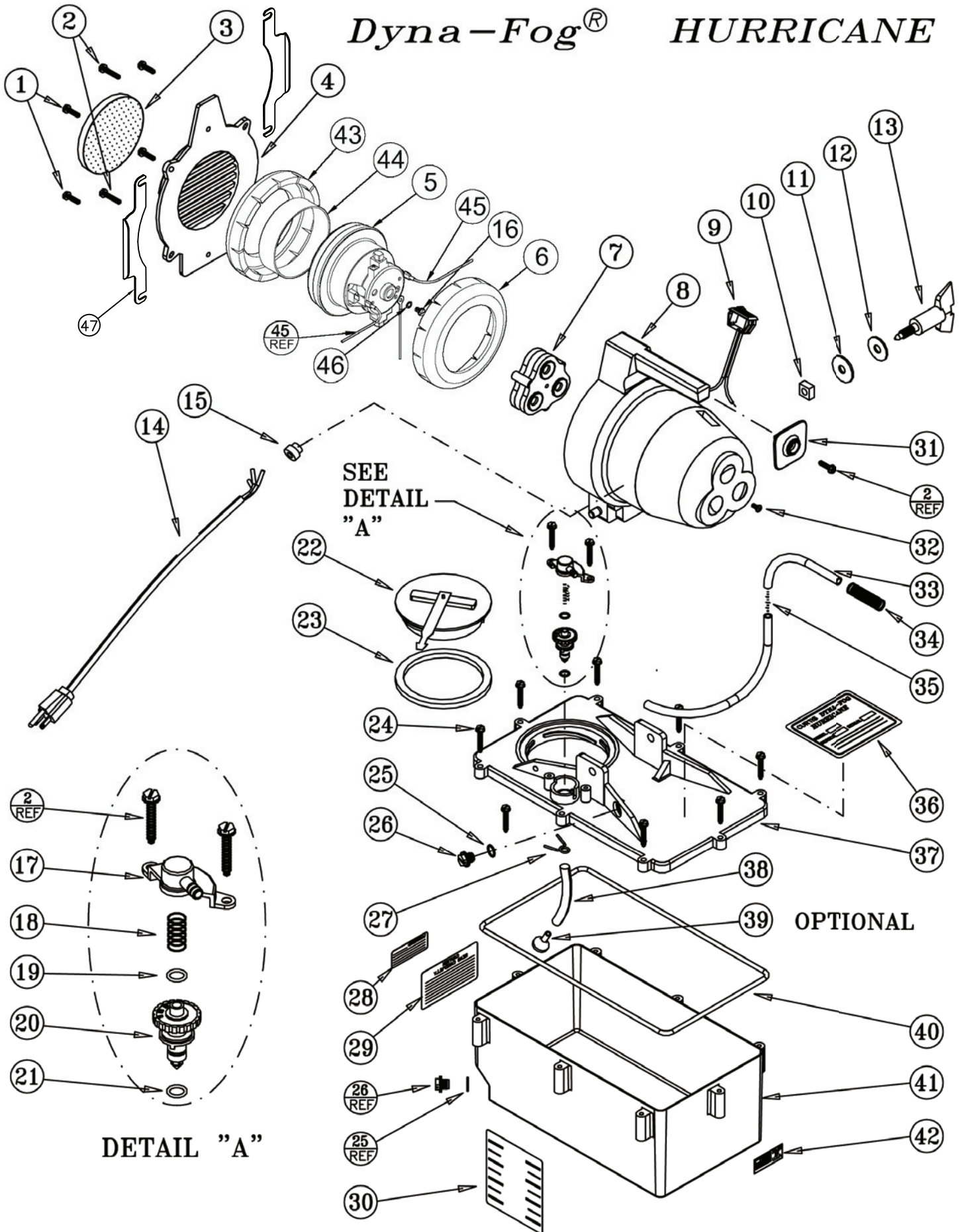
1. Periodically clean the formulation tank using a hot water/detergent solution. Fully open the machine valve and operate the machine for 3 to 5 minutes, flushing the solution through the valve, lines and nozzle.
2. Examine the electrical cord for evidence of damage and replace any damaged cord immediately.
3. After 400-500 hours of operation, carefully remove the blower assembly and examine the brushes and the commutator bars of the blower motor. If brushes show excessive wear or damage, replace the blower assembly (see ITEM #5, page 10).
4. If it becomes necessary to disassemble the Machine Flow Valve for cleaning, be careful not to enlarge the metering orifice or damage the taper of the valve stem, as this will affect the calibration of the machine.
5. Clean the Air Intake Filter after every application. If the filter gets saturated (wet and dripping) while the machine is working, stop the machine and clean the filter.

# ELECTRICAL SCHEMATICS



Dyna-Fog<sup>®</sup>

HURRICANE

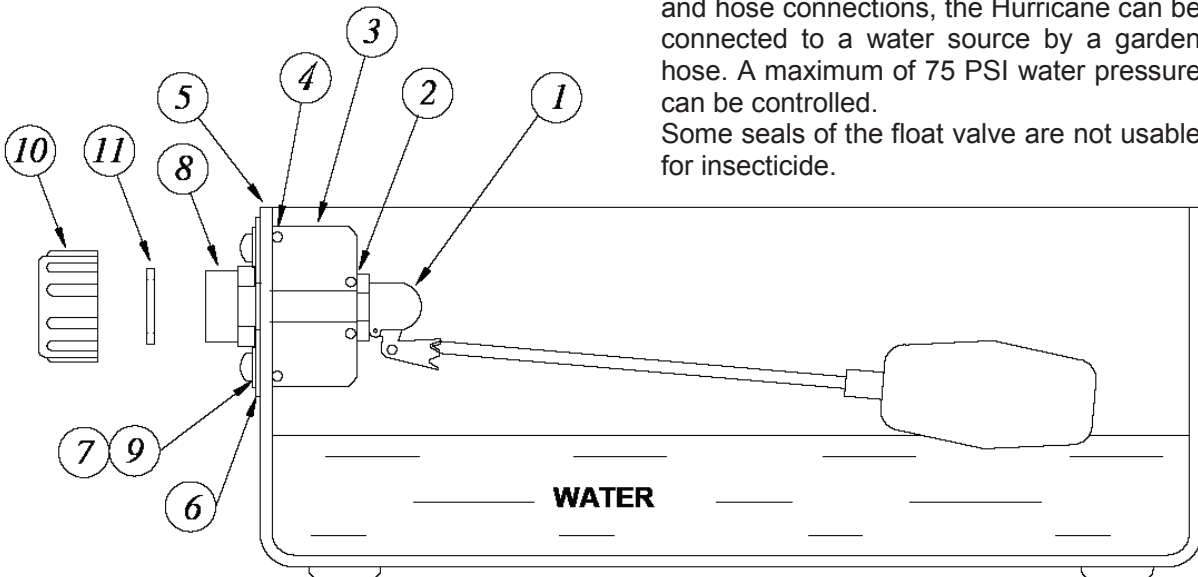


# Dyna-Fog<sup>®</sup> HURRICANE, Machine Part List

ITEM	QTY	P/N	DESCRIPTION
1	4	62161	Screw 10 X3/4 High-Low Thread, PHCR, S.S.
2	5	62162	Screw, 10-16X3/4, Slotted Hex WH, Type AB, Tap
3	1	62124	Filter, Air
4	1	62002-54	Housing Closure, Blue
5	1	62147-1	Motor, Blower Ay., 120V (930W), Panasonic
	1	62147-2	Motor, Blower Ay., 240V (950W), Panasonic
6	1	62366	Gasket, Foam, Die Cut (.187 Thk.)
7	1	62045-54	Nozzle Assembly, Blue
8	1	62001-54	Housing, Drilled, Blue
9	1	62006-1	Switch, Rocker
10	1	62367	Nut, 3/8-16 Square
11	1	62083	Washer, Friction
12	1	62128	Washer, Locking Handle
13	1	62010-54	Locking Handle
14	1	62031-2	Power Cord Assembly, 115 VAC
	1	62051-1	Power Cord, 240 VAC
15	1	20180-3	Strain relief Connector, 115 VAC
	1	20180-4	Strain Relief, 230 VAC
16	1	9425089	Screw, #8-32X3/8, Hex, Slotted Type "F" Tap.
17	1	62360-54	Retainer Assembly, Blue
18	1	4306	Spring
19	1	10100-204	"O" Ring, Viton
20	1	62358-54	Valve Stem, Blue
21	1	10100-12	"O" Ring
22	1	62033-54	Tank Cap Assembly, Blue (Cap+Strap+Washer)
23	1	62127-1	Gasket, Cap
24	8	62160	Screw, 10-16X1.25, Slotted Hex WH, Type AB, Tap
25	2	10100-13	"O" Ring .431-.421 ID
26	2	62123	Plug, 1/2X13 Thread (Red)
27	1	62030-1	Clamp, Hose, .375, S.S.
28	1	62057	Label, Warning
29	1	62029-1	Label, Caution
30	1	62126	Label, Tank Level
31	1	62053-54	Hand Stop, blue
32	1	62361-2	Screw 10-24X3/4 PHCR, Tap, S.S.
33	1	62054-2	Tube, Gres, .312
34	1	62017-1	Guard, Tube, 4" (Inside Housing)
35	1	74312-3	Spring, Anticrimp, S.S. (used on some models)
36	1	62052	Hurricane ID Label, 115 VAC
	1	62040	Hurricane ID Label, 230 VAC
37	1	62004-54	Tank Cover, Blue
38	1	29626-8	Tubing, Vinyl, .375 OD
39	1	62346	Filter, Plastic, Pickup (Optional)
40	1	62011-1	Gasket Cord
41	1	62003-2	Tank, Formulation (Machined.)
42	1	63409	Label, Made in USA
43	1	62366-1	Gasket, Foam, Die Cut (.375 Thk.)
44	1	62144-1	Spacer, PVC, Motor
45	2	62471	Wire Ay., On/Off Switch
46	1	138530	Washer, Lock, #8, INTO

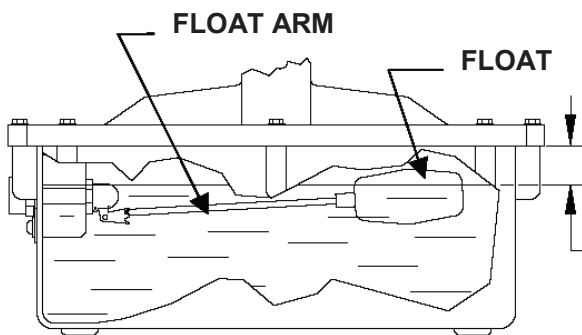
# TANK AND FLOAT VALVE ASSEMBLY, P/N 62104

With the addition of the Optional float valve, and hose connections, the Hurricane can be connected to a water source by a garden hose. A maximum of 75 PSI water pressure can be controlled. Some seals of the float valve are not usable for insecticide.



<u>ITEM</u>	<u>PART No</u>	<u>QTY</u>	<u>DESCRIPTION</u>
1	62105	1	Float Valve Assembly
2	10000-014	1	"O" Ring
3	62103	1	Adapter – Float Valve
4	10000-134	1	"O" Ring
5	62003-1	1	Formulation Tank (float)
6	62102	1	Plate – Float Valve
7	159920	4	Screw, 10-24 X ½, PHCR
8	62101	1	Adapter Hose/MPT
9	138479	4	Lock Washer # 10, Ext.
10 (*)	62106-1	1	Cap
11 (*)	62109	1	Gasket

\* Items 10 and 11 are not part of the Assembly P/N 62104. Shown as reference.




## FLOAT VALVE ADJUSTMENT

Because the manufacturing tolerances and differences in water pressures, the float valve may not shut off completely because the float hits the tank top. If this happens, gently bend the float arm down slightly so that the buoyant force can be utilized to close the valve. Keep the distance as shown.

## NOISE LEVEL COMPARISON

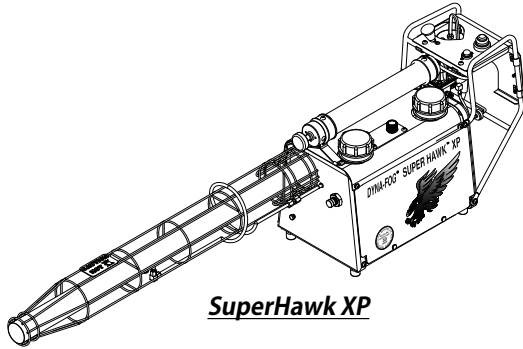
		TYPICAL SOUND	TYPICAL MUSIC	SPL, Db
		Chest wall vibrates, chiking, giddiness		150
		Jet taking off, 25 meters		140
		Threshold of pain		
		Artillery, 100 yards	Cannon (peaks)	130
		Pneumatic chipper		
		Riveter, nearby		120
		Loud car horn, nearby	Very loud rock (peaks)	
			Very loud classical (peaks)	110
Pain Threshold		Inside N.Y. subway	Very loud classical (avg.)	100
			Loud classical music	
		Heavy truck		90
Hearing Protection Recommended		Inside motor bus	Moderately loud classical	
		Noisy traffic, corner		80
		Noisy office	Soft popular music	70
		Business office	Soft classical music	
		Conversational Speech		60
		Private office	Very soft music	50
		Background noise, city home		40
		Background noise, suburb		
		Library		30
		Background, country night		
		Whisper, leaves rustling		20
		Good recording studio		
				10
		Threshold of hearing		0



Hurricane

The Hurricane hand held electric aerosol applicator is a relatively quiet machine, as shown in above comparison.

# Dyna-Fog Offers a Complete Assortment of Sprayers and Foggers



**SuperHawk XP**

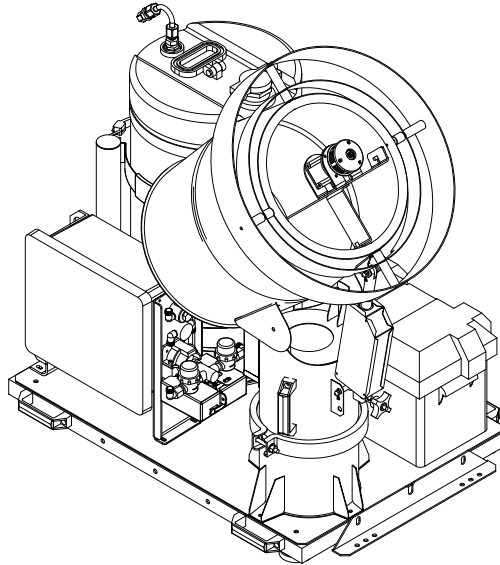
## PULSE-JET POWERED THERMAL FOGGERS:

From 0-120 GPH (0-453 LPH) output. Our complete line include different models like the Superhawk, Golden Eagle, Trailblazer, Falcon, Patriot, Blackhawk, Mister III, SilverCloud and Model 1200. Portable or Truck mounted machines. Different models are available for Oil base or Water base formulations.

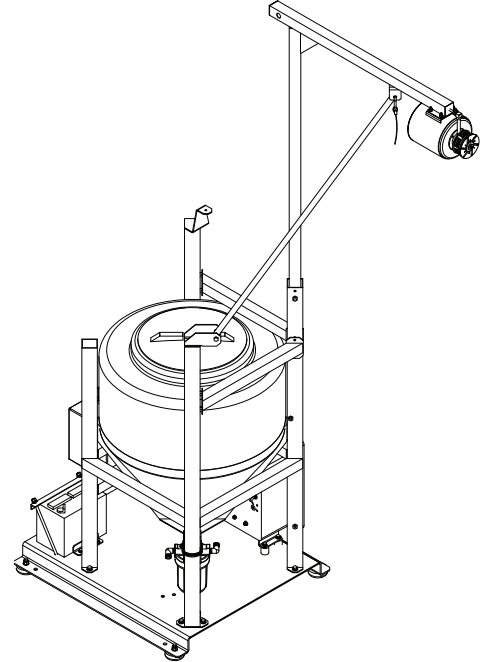
## ELECTRIC ROTARY ATOMIZERS:

**DYNA-JET L30:** State-of-the-Art, Electric Rotary Atomizer ULV Aerosol Generator. 12 VDC, Light Weight, Truck mounted Machine with FMI pump. Optional Syncroflow Available.

**DYNA-JET L15:** Drift Sprayer for migratory pest control like Locust. Flow Rate from 0 to 2 L/min. Optional Radar Syncroflow.



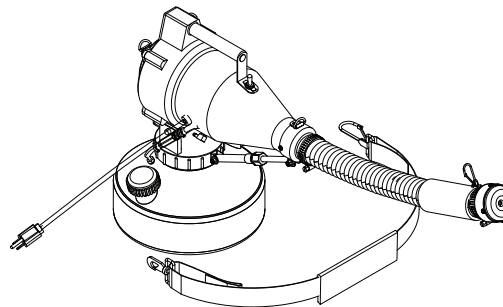
**Dyna-Jet L-30**



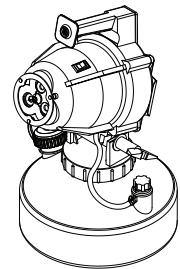
**Dyna-Jet L-15**

## ELECTRIC HAND-HELD ULV/MIST GENERATORS:

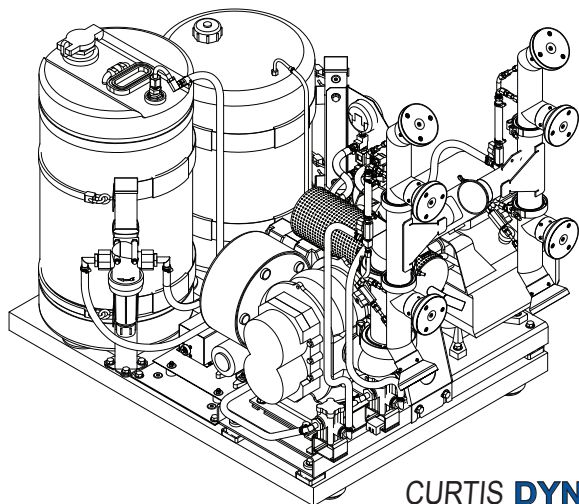
A Full line of electric cold fog applicators with 1-3 gallon tanks, available in 115 and 230 VAC.



**Cyclone Ultra-Flex**



**Hurricane ES**



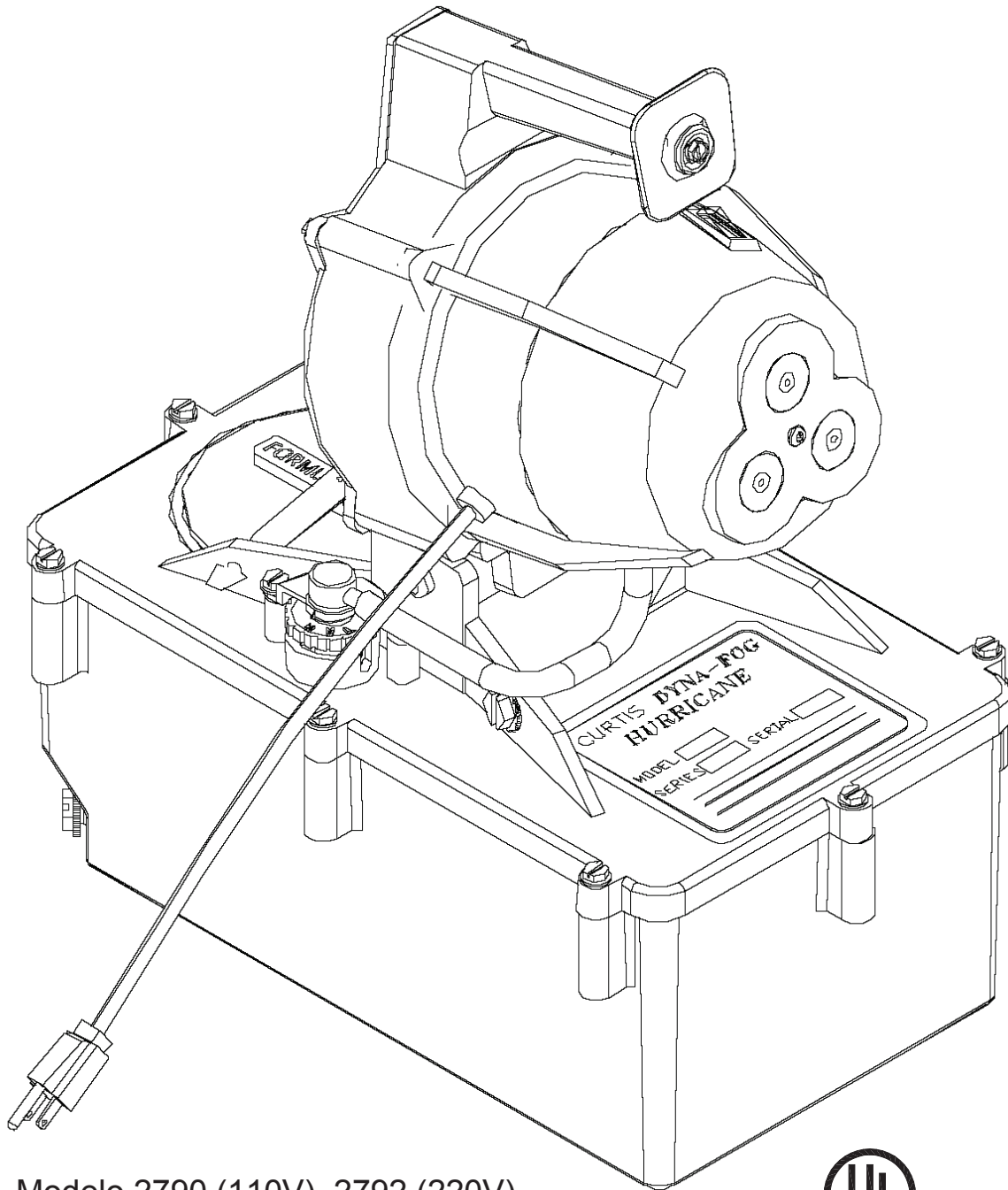
**LV-8**

## COMBUSTION ENGINE DRIVEN ULV AEROSOL GENERATORS:

Truck mounted Units powered by 8, 9, 11, 18 and 20 HP four cycle, OHV Gasoline Engines. Diesel versions also available. One, two, four and eight nozzle configurations. Patented full remote control of boom functions (rotation of turntable and angle of nozzles) available on certain models. Your choice of Gear, Piston or Diaphragm pumping system. Pressurized system versions available for specific international markets. Optional Automatic flow control "Syncroflow" also available with Radar or GPS speed sensing. 25 cc and 40 cc two cycle portable models are also available.


# ***Dyna-Fog<sup>®</sup> Hurricane***

***ULV/Rociador de “Niebla Fría”***



Modelo 2790 (110V), 2792 (220V)  
Con Válvula de Flotador: 2738 (110V), 2739 (220V)



Manual de Instrucciones   
para  
Operación, Partes y Mantenimiento



# INDICE

	Página Número
ESPECIFICACIONES .....	1
PRINCIPIOS DE OPERACION .....	2
COMPONENTES PRINCIPALES.....	3
ORIENTACION DE BOQUILLAS.....	3
FLUJO .....	4
PRECAUCIONES DE SEGURIDAD .....	5
Energía Eléctrica .....	5
Químicos .....	5
Concentración de Aerosol .....	6
Encendido del Aerosol .....	6
Uso Apropriado e Inapropiado .....	6
MANTENIMIENTO .....	7
DIAGRAMA ELECTRICO .....	8
DIAGRAMA DE DESPIECE ISOMETRICO .....	9
LISTA DE PARTES DE DIAGRAMA ISOMETRICO .....	10
CONJUNTO VALVULA DE FLOTADOR (OPCIONAL) .....	11
COMPARACION DEL NIVEL DE RUIDO .....	12
DYNA-FOG® , GRAN VARIEDAD DE MAQUINAS .....	13

## ESPECIFICACIONES

La máquina Hurricane™ es una aplicadora ULV/Rocío de “Niebla Fría” con tres boquillas de Nylon resistente. Este artefacto puede ser utilizado tanto para aplicaciones de base aceite (siguiendo las precauciones requeridas) y de base acuosa, incluyendo polvos mojables. Las cubiertas (carcazas) y el tanque están hechos de polietileno de alta densidad y resistente al ataque químico. El aplicador es útil para la mayoría de los químicos los cuales son rotulados para aplicaciones de aerosol o rociado tales como desinfectantes, desodorantes, germicidas, insecticidas, etc., en sitios tales como hospitales, colegios, centros de salud, ancianatos, invernaderos, establos, caballerizas, bodegas, casas y edificaciones en haciendas y granjas. El tamaño de las partículas generadas está entre  $7\mu$  y  $30\mu$  (micrones) VMD, dependiendo del flujo y de la viscosidad del líquido a ser aplicado.

MODELO 2790 HURRICANE™ 110-130 VAC

MODELO 2792 HURRICANE™ 210-250 VAC

MODELO 2738 HURRICANE™ con válvula de flotador, 110-130 VAC

MODELO 2739 HURRICANE™ con válvula de flotador, 210-250 VAC

### MOTOR:

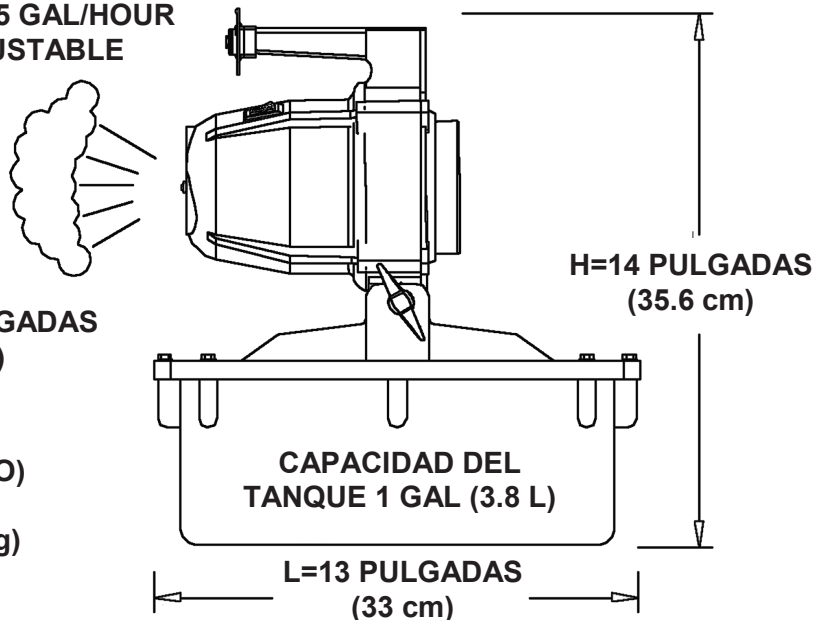
2790 Servicio Continuo  
110-130 Voltios AC  
6.85 Amperios  
50/60 HZ  
20,000 RPM

2792 Servicio Continuo  
210-250 Voltios AC  
3.4 Amperios  
50/60 HZ  
20,000 RPM

**ENTREGA MAX: 5 GAL/HOUR  
(19 L/HORA), AJUSTABLE**

**ANCHO=8 PULGADAS  
(20.3 cm)**

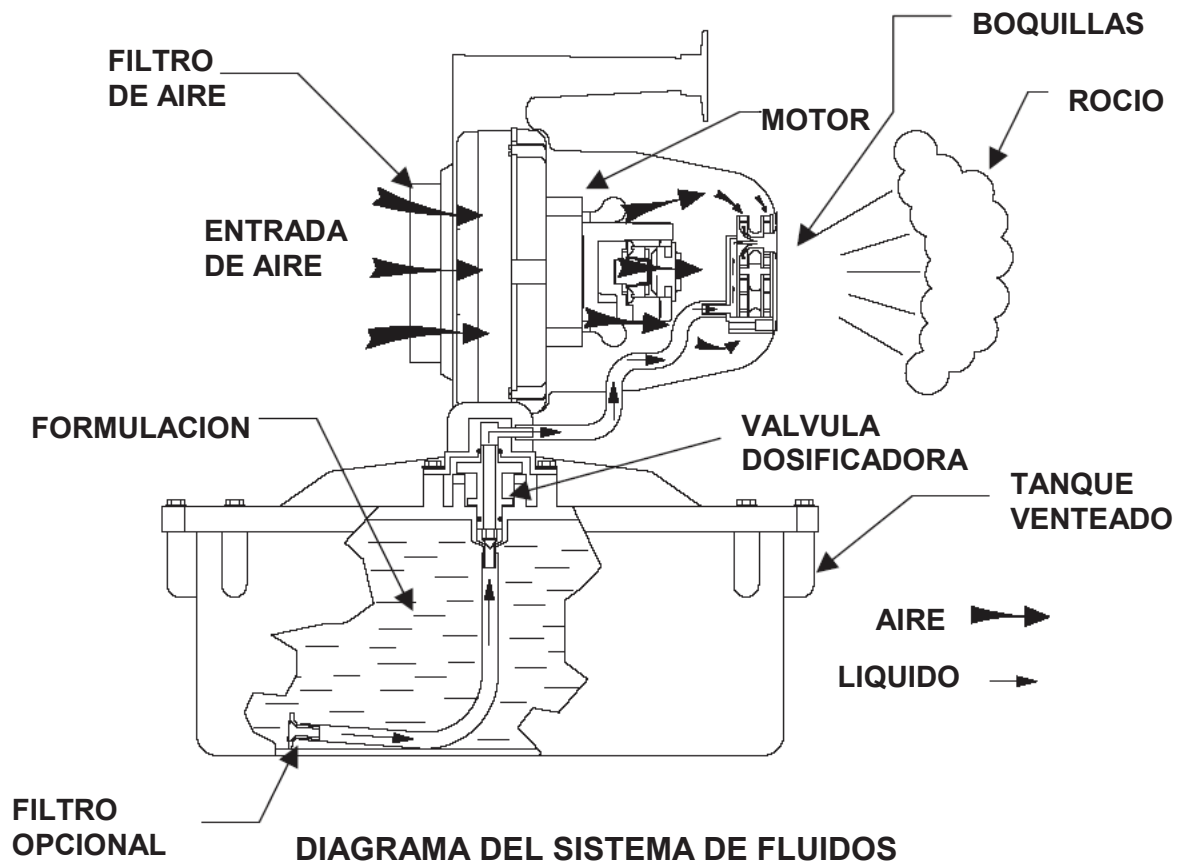
**PESO  
(VACIO)  
6.4 Lb  
(2.9 Kg)**



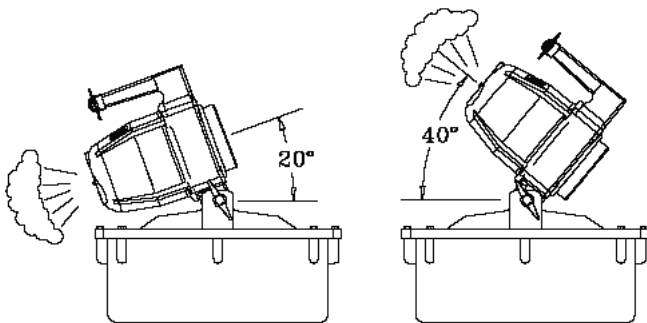
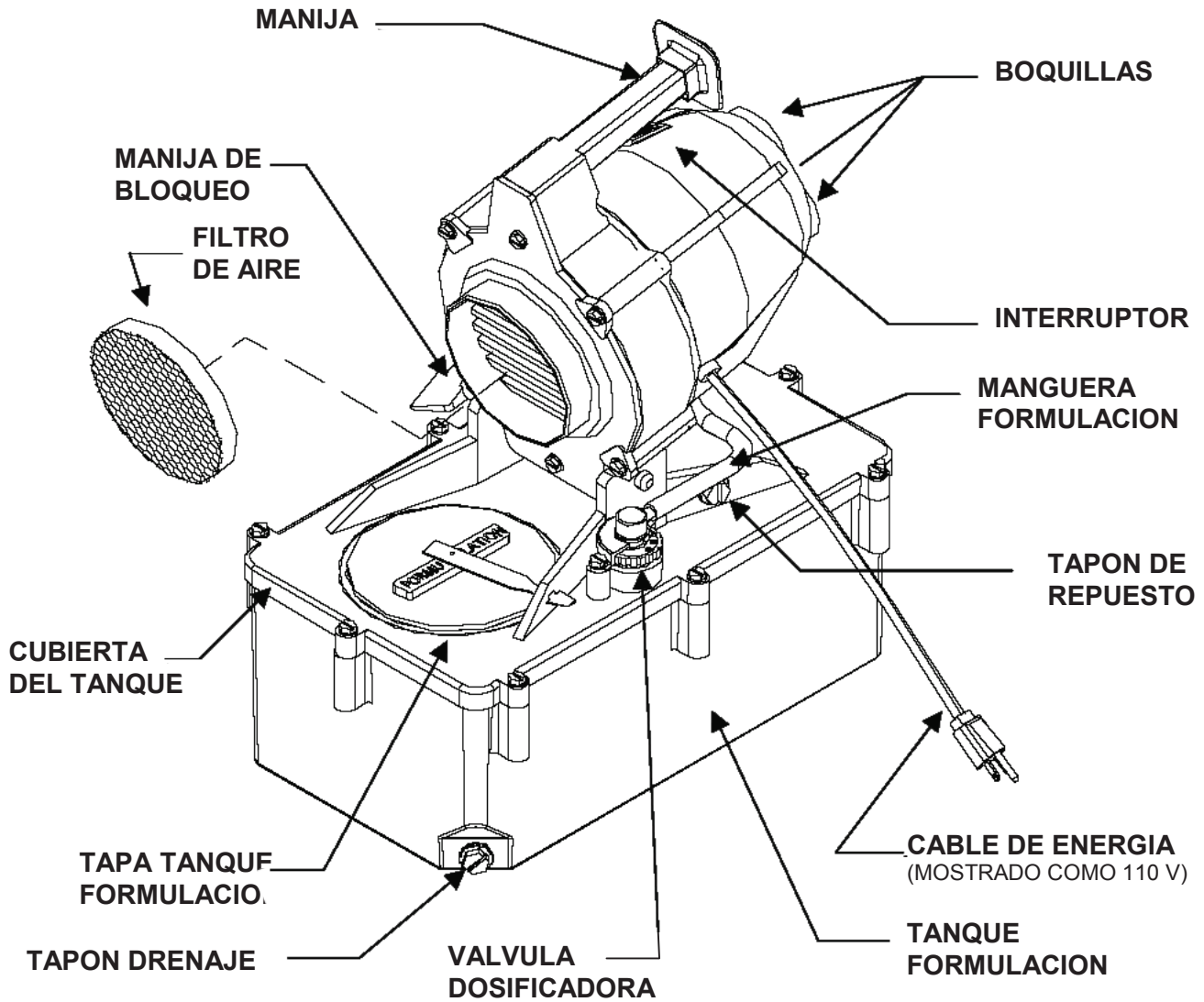
Cable SJ60, 18" (46 cm) de largo; Disponible extensión opcional del 25 pies (7.6 m).

## PRINCIPIOS DE OPERACION

La máquina consiste de un conjunto motor/soplador, un sistema de boquillas, un alojamiento de boquillas, un tanque de formulación y una válvula dosificadora. Los diversos componentes están identificados en el diagrama inferior. El soplador es de impelente centrífugo de una sola etapa, de flujo axial y conducido por un motor universal operando a una velocidad rotacional cercana a las 20000RPM. El soplador mueve una gran cantidad de aire a través del sistema de boquillas consistente de tres boquillas individuales, cada una tiene dos juegos de álabes de dirección. Un juego de álabes ocasiona que el aire sea girado en sentido horario, y el otro juego de álabes causa que el aire sea girado en sentido antihorario. La intersección de la acción de las fuerzas circulares corta el material que esta siendo rociado en pequeñas partículas. Además, el aire que está circulando por los ductos de forma especialmente diseñada, crea una presión negativa (succión) en la manguera de líquido. Esta presión negativa permite que el líquido sea inducido desde el tanque de formulación (químico) a través de la válvula de control y entre al sistema de boquillas donde es neumáticamente fragmentado en gotitas de tamaño de aerosol o en gotas de rocío. Después de la separación las gotitas son retiradas de la máquina por el aire que está pasando a través del sistema de boquillas. Generalmente el tamaño de las gotas a la salida crece cuando se incrementa el flujo, y con el incremento de la viscosidad..



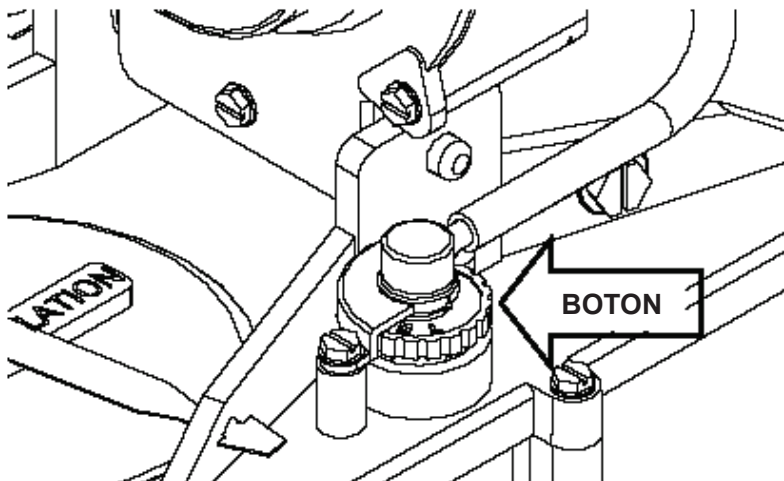
# COMPONENTES PRINCIPALES



## ANGULO DE BOQUILLAS

La máquina permite ajuste del ángulo en un rango de 60°, 40° por encima de la horizontal, y 20° por debajo de la horizontal. Use la manija de bloqueo para ajuste del ángulo.

## FLUJO

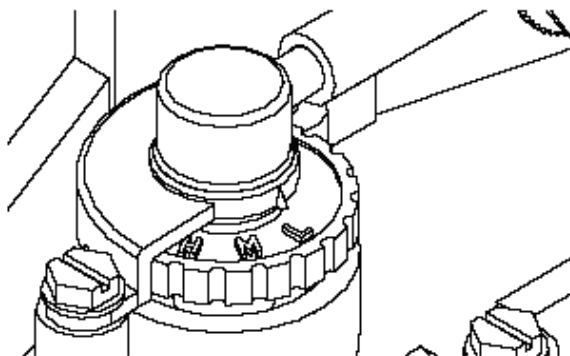


El flujo se regula girando el botón de la válvula de control.

Si el botón es girado en sentido horario, el flujo será reducido.

Si el botón es girado en sentido antihorario, el flujo será incrementado.

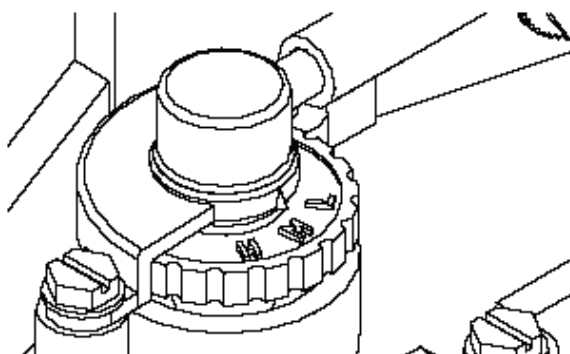
Como referencia, los diagramas de abajo ilustran el el flujo promedio de las tres diferentes posiciones.



Válvula con botón en posición "L"

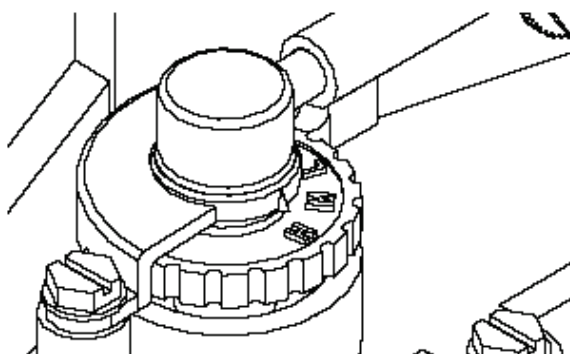
Flujo = 6.4 Onzas/Minuto  
= 3.0 Gal/Hora  
= 189 ml/minuto  
= 11.3 L/Hora

Se pueden obtener flujos mas bajos cerrando el botón de la válvula, hasta virtualmente la posición de "no flujo".



Válvula con botón en posición "M"

Flujo = 8.0 Onzas/Minuto  
= 3.7 Gal/Hora  
= 236 ml/minuto  
= 14.2 L/Hora



Válvula con botón en posición "H"

Flujo = 9.0 Onzas/Minuto  
= 4.2 Gal/Hora  
= 266 ml/minuto  
= 15.9 L/Hora

El máximo flujo se puede obtener al abrir totalmente la válvula.

# PRECAUCIONES DE SEGURIDAD

## ADVERTENCIA

*LEA Y ENTIENDA ESTAS PRECAUCIONES DE SEGURIDAD ANTES DE OPERAR LA MAQUINA. EL FALLAR EL SEGUIMIENTO APROPIADO DE ESTAS INDICACIONES PUEDE OCACIONAR FUEGO, EXPLOSION O RIESGO DE DESCARGA ELECTRICA.*

1. **ENERGIA ELECTRICA.** Esta máquina usa energía eléctrica de los voltajes mas comunes comercialmente. Cuando hay contacto directo, esos voltajes son peligrosos para la vida humana. Para el uso de esta máquina son aplicables todas las precauciones que comunmente aplican para el uso de la energía eléctrica en general. Esta máquina está diseñada para operar con sistema eléctrico de tres cables donde uno de ellos es la seguridad a tierra. No desconecte el cable de seguridad a tierra o utilice extensiones eléctricas o enchufes “Adaptador” para conectar esta máquina a sistema de dos cables. Esto eliminaría el propósito de la seguridad dada por la conexión a tierra y puede resultar en condición de riesgo de descarga eléctrica.

Cuando esté efectuando reparaciones a la máquina, emplee un área o banco de trabajo que esté seco y que no sea conductor de electricidad. La madera natural seca y los plásticos son por lo general no conductores de electricidad a los voltajes de estas máquinas. Los metales son usualmente conductores. No pruebe el interior de la máquina con terminales de un probador eléctrico/electrónico si la cuando la máquina esté conectada a la línea eléctrica.

Los cables de extensión eléctrica deben ser dimensionados apropiadamente para el voltaje, corriente y longitud del cable individual. Consult el rótulo de su máquina para estar seguro del voltaje y corriente para compararlo con la capacidad de la extensión eléctrica. Solo se debe utilizar una extensión eléctrica. Cuando se utilizan dos o mas extensiones en serie, la capacidad de conduccion de la corriente electrica de la extensión puede haber perdido validez. Si la extensión se siente caliente al tacto, no la siga utilizando y obtenga una extensión con cable de mayor capacidad de corriente. Las extensiones eléctrica inapropiadas no solo son peligrosas, sino que además dará un bajo desempeño de la máquina debido a la gran caída de voltaje. Finalmente, ya que la máquina puede utilizar formulaciones con base de aceite, el cable de extensión eléctrica debe ser resistente al aceite.

- 2 **FORMULACIONES.** Muchas formulaciones químicas son combustibles, entonces ellas puede encenderse. Esto es cierto aun cuando tengan un alto punto de encendido o “sin” punto de encendido (las pequeñas partículas de polvo en los molinos de grano no tienen punto de encendido). El vapor de un líquido combustible puede ser encendido mas fácilmente porque forma una mezcla mas uniforme con el aire el cual contiene el ígeno requerido para la combustión. No obstante, las prtícula finas de combustibles sólidos o líquidos suspendidas en el aire y seperadas entre ellas por muy poca distancia, son capaces de propagar la llama de una a otra hasta que el encendido se produzca. Una buena analogía es la explosión en los molinos de grano. A pesar que el polvo de los molinos de grano no

tiene punto de encendido, el fenómeno de la explosión en los molinos de grano no está fuera de lo común. Las formulaciones con alto punto de encendido o sin punto de encendido estarán menos listas para encender que las formulaciones con bajo punto de encendido, y por esta razón es más recomendable utilizar formulaciones de alto o sin punto de encendido. Las formulaciones con alto o sin punto de encendido pueden encenderse si las uniones inapropiadas de condiciones existen. Estas condiciones son básicamente dos: 1. Suficiente volumen de líquido en forma de partículas finas suspendidas en el aire, y 2. Una fuente suficiente de alta energía para el encendido.

3. **CONCENTRACION DE NEBULIZACION.** Está plenamente establecido que un nivel aceptable de líquido en la atmósfera es de un galón por 50.000 pies cúbicos (2.7 litros por 1.000 metros cúbicos). Esta cifra contempla un factor de seguridad mínimo de 5 a 1.
4. **ENCENDIDO DE LA NIEBLA.** Si se establece una atmósfera combustible o se asienta un depósito combustible, una fuente de ignición puede causar fuego. Pueden ser fuentes de ignición las llamas piloto de combustibles gaseosos, líquidos o chispas provenientes de controles eléctricos. En consecuencia se recomienda enfáticamente que todas estas fuentes sean eliminadas, apagando todas las llamas piloto y desconectando toda la energía eléctrica que no sea necesaria. Para evitar el peligro de fuego o de explosión en un espacio cerrado, deberá calcularse cuidadosamente el tiempo de nebulización del volumen cerrado y la cantidad de formulación requerida.

**USO CORRECTO E INCORRECTO.** Aplicar las siguientes normas para el uso correcto de este equipo :

## USO CORRECTO

Leer todo el manual de operación antes de poner en marcha el equipo y prestar absoluta atención a todas las PRECAUCIONES Y ADVERTENCIAS.

Almacenar la formulación en el envase con su etiqueta original.

Usar una extensión eléctrica adecuada para el voltaje, corriente y longitud, libre de resquebrajaduras, grietas, defectos o con señales de abusos. Para longitudes de hasta 30,5 metros, generalmente se recomiendan extensiones o conductores de AWG No. 12.

Reemplazar inmediatamente la extensión eléctrica que presente averías o abusos por una extensión eléctrica o conductor nueva.

Después de cada aplicación de nebulización, girar la válvula dosificadora en SENTIDO HORARIO hasta la posición OFF con el motor todavía en marcha, para permitir que se limpien los conductos. Esto también evita el efecto sifón, si el equipo fuese volcado accidentalmente, con la válvula todavía abierta.

Cumplir siempre con todas los requisitos de ropa de protección, anteojos, guantes, mascarar faciales, o respiradores exigidos por el rótulo o etiqueta de la formulación.

Asegurar que las formulaciones son aplicadas en el más estricto cumplimiento con el rótulo de la formulación y con los reglamentos locales o estatales.

## **USO INCORRECTO**

NO nebulizar líquidos inflamables cerca de una llama abierta o fuente de ignición.

NO usar un equipo averiado o dañado de cualquier forma.

NO alterar el equipo, quitando o agregando piezas.

NO restringir la entrada de aire de la turbina.

NO manosear u obstruir la boquilla de salida.

NO permitir que el equipo opere sin la atención de la persona encargada.

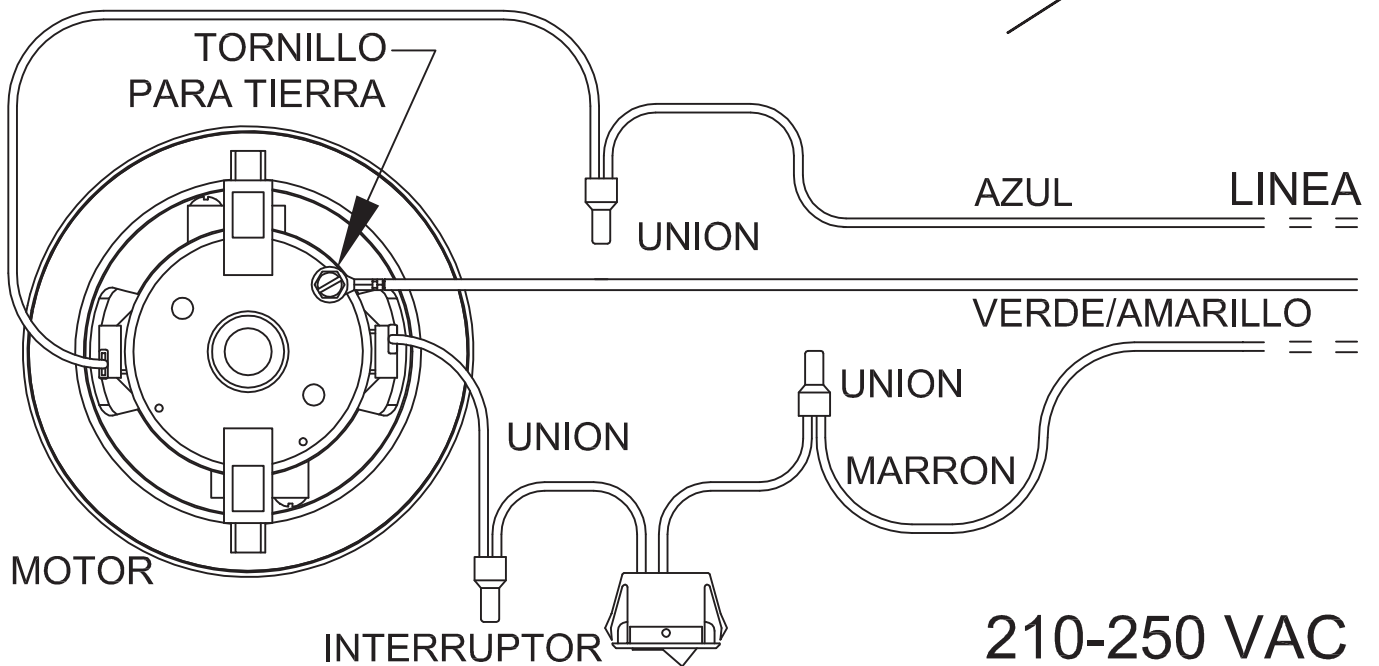
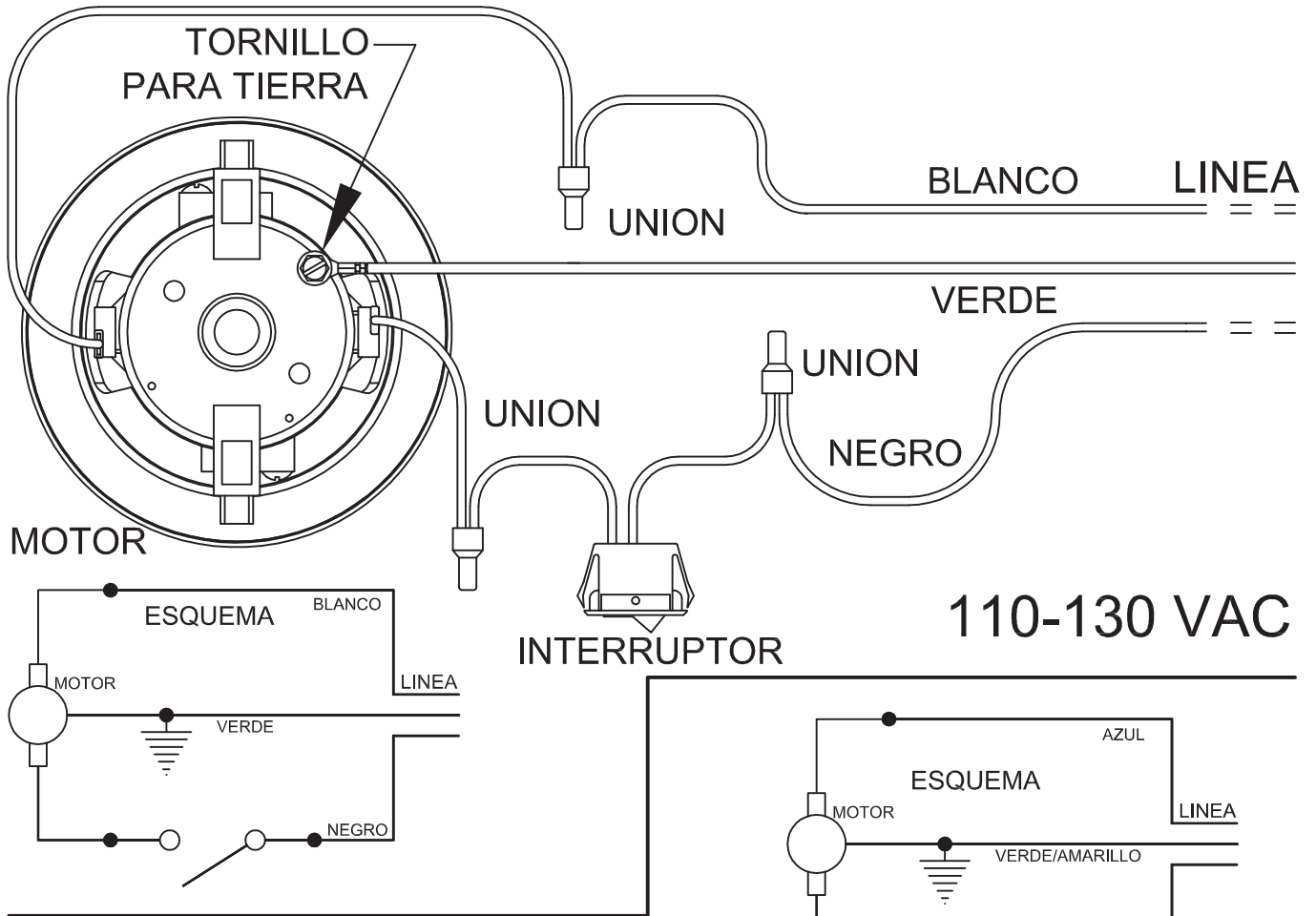
NO aplicar más de un (1) galon de formulación por 50.000 pies cúbicos ( 2,7 litros por 1000 metros cúbicos) de espacios cerrados. El exceder esta concentración es tanto peligroso como antieconómico.

## **MANTENIMIENTO**

1. Limpiar periodicamente el tanque de formulacion con una solución de agua caliente/solución detergente . Abrir completamente la valvula, y accionar la maquina de 3 a 5 minutos, descargando la solucion a travez de la válvula, los conductos y las boquillas.
2. Examinar el conductor eléctrico por evidencias de daños y reemplazer inmediatamente cualquier conductor dañado.
3. Después de 400/500 horas de operación , cuidadosamente remover el conjunto motor y examinar en este las escobillas y colector del motor. Si las escobillas muestran excesivo desgaste o avería, reemplace el conjunto motor/soplador. ( Ver item #5, pag 10).
4. Si fuera necesario desarmar la válvula dosificadora para su limpieza, tener cuidado de no agrandar el orificio dosificador o de dañar el cono del vástago, esto afectaría la calibracion de la máquina.
5. Limpiar el filtro de la entrada de aire despues de cada aplicacion. Si el filtro esta completamente tapado ( mojado y goteando) estando el equipo en operacion, pare el equipo y limpie el filtro.

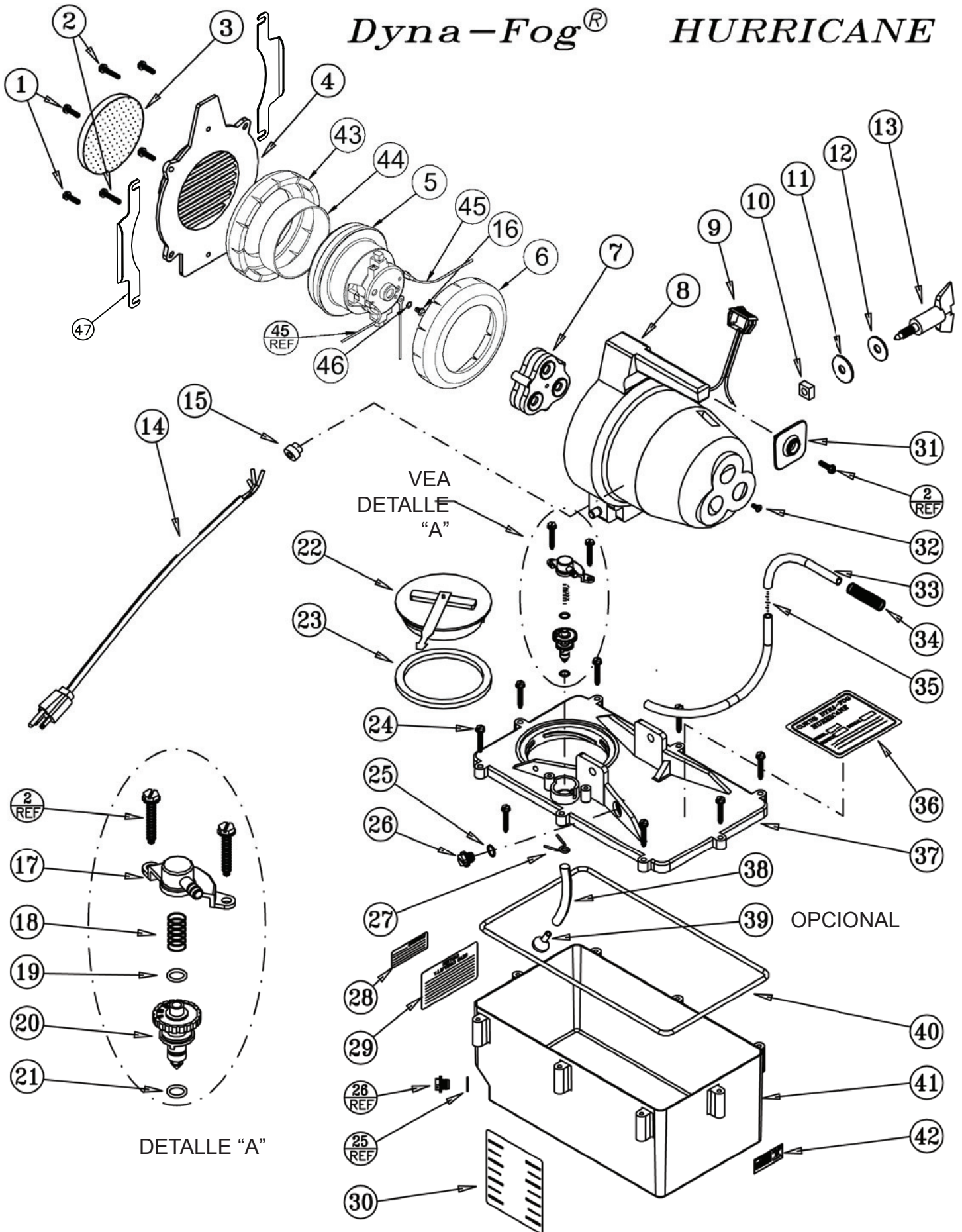


# ESQUEMA DEL CIRCUITO ELECTRICO



Dyna-Fog<sup>®</sup>

HURRICANE

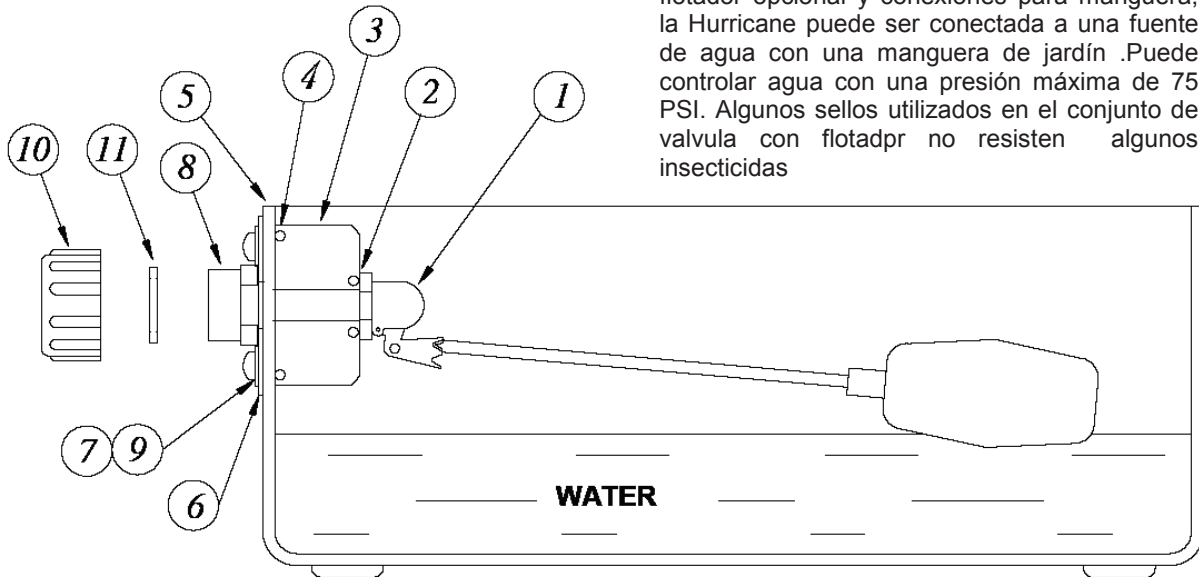


# Dyna-Fog® HURRICANE, Lista de Partes

ITEM	QTY	P/N	DESCRIPTION
1	4	62161	Tornillo 10 X3/4" rosca High-Low , PHCR,Acero inox.
2	5	62162	Tornillo 10-16X3/4", Hex con ranura, tipo AB, torque.
3	1	62124	Filtro de aire.
4	1	62002-54	Carcaza motor, azul.
5	1	62147-1	Conjunto, Motor, Soplador, 120 Voltios, Panasonic
	1	62147-2	Conjunto, Motor, Soplador, 240 Voltios, Panasonic
6	1	62366	Empaque de Espuma (.187")
7	1	62045-54	Conjunto boquilla, azul.
8	1	62001-54	Carcaza,taladrada,azul
9	1	62006-1	Interruptor prender/apagar.
10	1	62367	Tuerca, 3/8"-16 cuadrada.
11	1	62083	Arandela de friccion
12	1	62128	Arandela , tornillo
13	1	62010-54	Manija de Bloqueo.
14	1	62031-2	Cable conjunto, 115 VAC
	1	62051	cable conjunto, 240 VAC
15	1	20180-3	Prensa cable conjunto, 115 VAC
	1	20180-4	Prensa cable conjunto, 230 VAC
16	1	9425089	Tornillo hexagonal #8-32 X 32 X 3/8 Tipo F. Tap.
17	1	62360-54	Conjunto retenedor, azul
18	1	4306	Resorte
19	1	10100-204	"O" Ring, Viton
20	1	62358-54	Valvula de producto, azul
21	1	10100-12	"O" Ring
22	1	62033-54	Conjunto tapa tanque,azul. (tapa +arandela + correa tapa)
23	1	62127-1	Empaque , tapa tanque.
24	8	62160	Tornillo torque,10-16X1.25, Hex con ranura WH, tipo AB,
25	2	10100-13	"O" Ring .431-.421 diametro interior.
26	2	62123	Tapon, 1/2X13 enroscado ( rojo).
27	1	62030-1	Abrazadera, manguera, .375, acero inox.
28	1	62057	Etiqueta, advertencia
29	1	62029-1	Etiqueta de precaucion
30	1	62126	Etiqueta, nivel de liquido
31	1	62053-54	Tope, manigueta azul
32	1	62361-2	Tornillo torque 10-24X3/4" PHCR, acero inox.
33	1	62054-2	Tubo, Gres, .312
34	1	62017-1	Protector , tubo, 4" (interior de carcaza)
35	1	74312-3	Resorte Anticolapsamiento, acero inox.
36	1	62052	Etiqueta Hurricane, 115 VAC
	1	62040	Etiqueta Hurricane, 230 VAC
37	1	62004-54	Tapa de tanque, rectangular, azul
38	1	29626-8	tuberia, vinilo, .375 OD
39	1	62346	Filtro, plastico, (Opcional)
40	1	62011-1	Empaque tipo Cuerda
41	1	62003-2	Tanque (rectangular), Formulacion, maquinado
42	1	63409	Etiqueta,Made in USA
43	1	62366-1	Empaque de espuma (.375")
44	1	62144-1	Separador PVC, motor)
45	2	62471	Interruptor Si/No, Cableado
46	1	138530	Arandela de Saguridod, #8, Conjunto

# TANQUE Y VALVULA CON FLOTADOR, P/N 62104

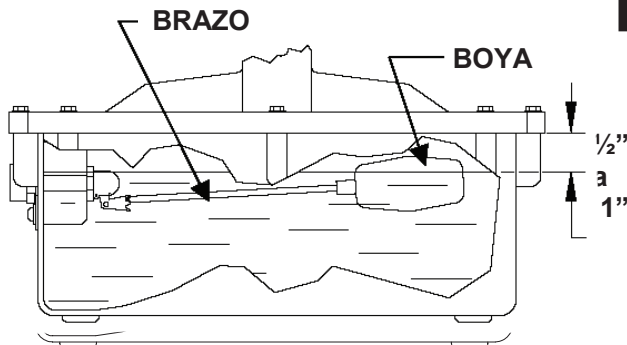
Con la adición del conjunto de la válvula con flotador opcional y conexiones para manguera, la Hurricane puede ser conectada a una fuente de agua con una manguera de jardín. Puede controlar agua con una presión máxima de 75 PSI. Algunos sellos utilizados en el conjunto de válvula con flotador no resisten algunos insecticidas.



REGLON	P / N	CANT	DESCRIPCION
1	62105	1	Válvula con Flotador
2	10000-014	1	Anillo "O"
3	62103	1	Adaptador - Válvula
4	10000-134	1	Anillo "O"
5	62003-1	1	Tanque Formulación
6	62102	1	Placa - Válvula
7	159920	4	Tornillo, 10-24 X 1/2, PHCR
8	62101	1	Adaptador Manguera/MPT
9	138479	4	Arandela # 10, Ext.
10 (*)	62106-1	1	Tapa
11 (*)	62109	1	Empaque

\* Reglones 10 y 11 no son parte del conjunto P/N 62104. Mostrados como referencia.


## AJUSTE DE VALVULA CON FLOTADOR



Debido a las tolerancias de fabricación y a las diferentes presiones de agua, es probable que la válvula de flote no cierre completamente debido a que la boya golpea con la tapa del tanque. Si esto sucede, doble suavemente el brazo de la boya hacia abajo para que la fuerza de la boya pueda cerrar completamente la válvula. Mantenga las distancias como lo demostramos en la grafica.

## COMPARACION DEL NIVEL DE RUIDO

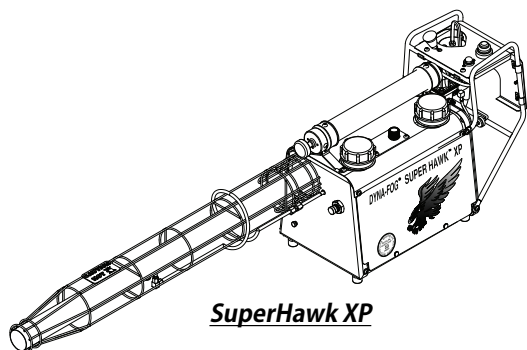
		SPL, Db
	<b>SONIDO TIPICO</b>	<b>TIPO DE MUSICA</b>
	Pecho vibra	
	Mareo	
	Despegue de Jet, 25 m.	
	Umbral de dolor	
	Artilleria, 90 m	Cañon (pico)
	Moedor neumatico	
	Riveteadora (cerca)	
	Corneta de vehiculo (cerca)	Rock muy pesado (pico)
		Clasica muy fuerte (pico)
Umbral de Dolor	Dentro del metro de N.Y.	Clasica muy fuerte (media)
		Clasica fuerte
	Camion pesado	
Proteccion de oido es recomendada	Dentro de un Bus	Clasica moderada fuerte
	Esquina ruidosa de trafico	
	Oficina ruidosa	Musica popular suave
	Oficina de Negocios	Musica Clasica suave
	Conversacion hablada	
	Oficina privada	musica muy suave
	Ruido de fondo, casa ciudad	
	Ruido fondo, casa suburbio	
	Biblioteca	
	Ruido de fondo, casa rural	
	murmullo, hojas cayendo	
	Buen estudio de grabacion	
	Umbral de audicion	



Hurricane

El aplicador de niebla electrico Hurricane es una máquina relativamente no ruidosa, como es mostrado.

# Dyna-Fog Ofrece una Gama Completa de Nebulizadores y Termo-Nebulizadores



**SuperHawk XP**

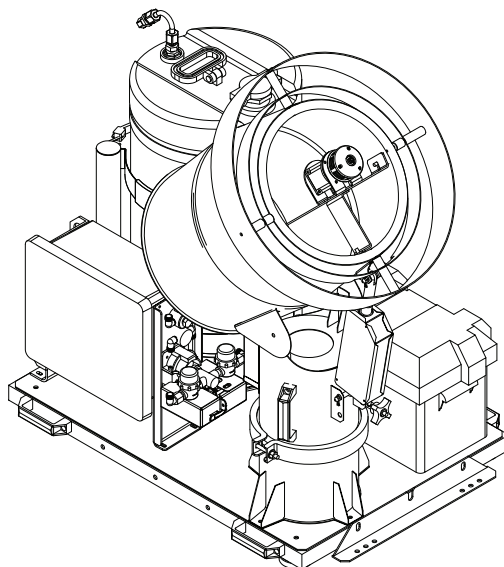
## TERMONEBULIZADORES CON MOTOR PULSO - RESONANTE:

Salidas desde 0-120 GPH (0-453 LPH). Nuestra completa línea incluye diferentes modelos como Superhawk, Golden Eagle, Trailblazer, Falcon, Patriot, Blackhawk, Mister III, Silver Cloud y Model 1200. Máquinas Portátiles o montar en vehículo. Diferentes modelos están disponibles para formulaciones base Aceite o Agua.

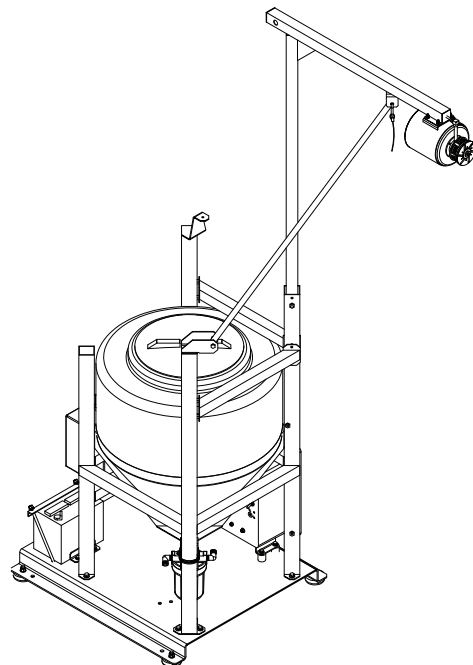
## ATOMIZADORES ROTATIVOS ELECTRICOS:

**DYNA-JET L30:** Tecnología de punta, Generador Aerosol ULV, Atomizador Rotativo Eléctrico 12 VDC. Peso liviano, máquina para montar en vehículo con bomba FMI. Disponible: Opcional Syncroflow.

**DYNA-JET L15:** Pulverizador de deriva para control de plagas migratorias como Langostas. Tasa de flujo de 0 a 2 L/ min. Opcional: Radar Syncroflow.



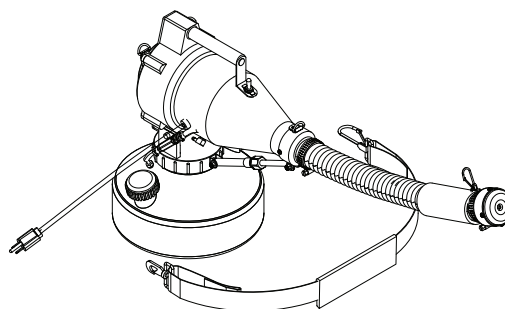
**Dyna-Jet L-30**



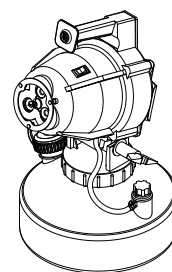
**Dyna-Jet L-15**

## GENERADORES ULV/ROCIOPORTATILES ELECTRICOS:

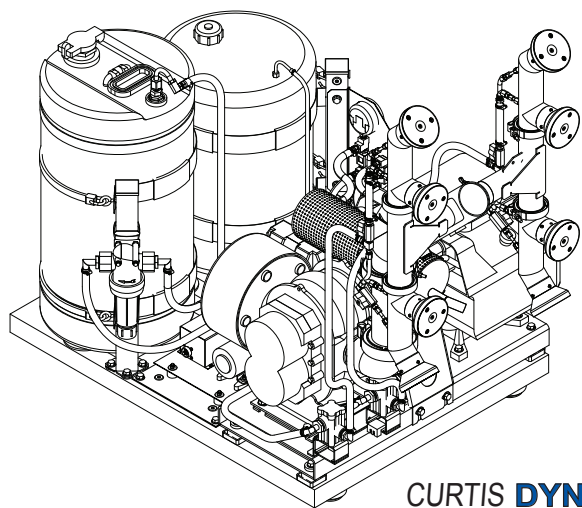
Una Completa línea de aplicadores electricos de niebla fría con tanque de 1-3 Galones, disponibles en 115 y 230 Volt.



**Cyclone Ultra-Flex**



**Hurricane ES**



**LV-8**

## GENERADORES AEROSOL ULV IMPULSADOS POR MOTOR DE COMBUSTION:

Unidades para montar en vehículo impulsados por Motor a gasolina de 8, 9, 11, 18 y 20 HP, cuatro ciclos, OHV. También disponible Versión Diesel. Una, dos, cuatro y ocho boquillas. Patentado control remoto completo de funciones del brazo (rotación de plato giratorio y ángulo de boquillas) disponible en algunos modelos. Puede elegir entre diversos sistemas de bombeo como Engranaje, Pistón o Diafragma. Disponible la versiones de Sistema presurizado para mercados internacional específicos. Opcional, "Syncroflow" control de flujo automático, también disponible con Radar o GPS detección de velocidad. 25 cc y 40 cc dos ciclos disponible para modelos portátiles.