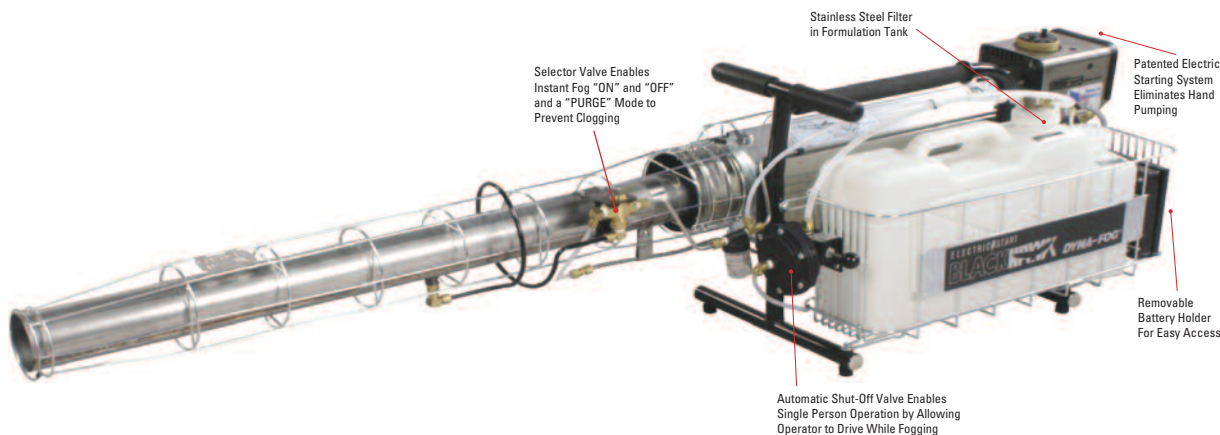


## Blackhawk Electric Start

Thermal Aerosol-Fog Petroleum-Based, Resonant Pulse Principle



- The Blackhawk is designed for a wide range of jobs with maximum efficiency for handling petroleum-based products
- One year limited warranty

Part #	Description
86550	Blackhawk Electric Start 2620
86550-20	Blackhawk Electric Start

### For Professional Use

The Blackhawk was designed for a wide range of jobs with maximum efficiency for handling petroleum-based products. The Blackhawk is capable of dispersing disinfectants, deodorizers, germicides and insecticides for application in greenhouses, a wide range of warehouses and for outdoor pest control in parks, gardens and golf courses.

The Blackhawk's simple, innovative design reduces unit maintenance and will provide years of rugged, reliable performance. Up to 18 gallons per hour capacity, rugged construction, easy maintenance and our patented electric starting system assures greater reliability, effectiveness, fuel efficiency and ease of operation. The machine is also equipped with an easy to clean stainless steel formulation filter that keeps the system free of unwanted dirt and residue.

### BLACKHAWK ELECTRIC START

#### SPECIFICATIONS

Formulation Output	0-18 gallons/hr; 0-68.4 liters/hr; covers 114,000 cubic feet or 3200 cubic meters/min
Droplet Size	0.5 – 50 microns VMD
Engine	44 Hp; 33 kW
Fuel Consumption	0.6 GPH; 2.3 liters/hr
Weight	Empty: 41 lbs; 18.6 kg. Full: 75 lbs; 34.1 kg
Fuel Tank	0.5 gallons; 1.9 liters
Formulation Tank	3 gallons; 11.4 liters
Power Supply	Eight 1.5V D size alkaline batteries. A rechargeable 12V DC battery (optional). Any 12V DC vehicle battery; connect to 12V receptacle with auxiliary battery cable.
Dimensions	68.3 x 15 x 16.8 inches; 173.5 x 38.1 x 42.7 cm (L x W x H)
Shipping Data	71 x 19 x 20 inches; 180 x 48 x 54 cm (L x W x H) 73 lbs; 33.1 kg 15.6 cubic feet; 0.44 cubic meter Drum Kit: 8 lbs; 3.6 kg